

DATA SHEET

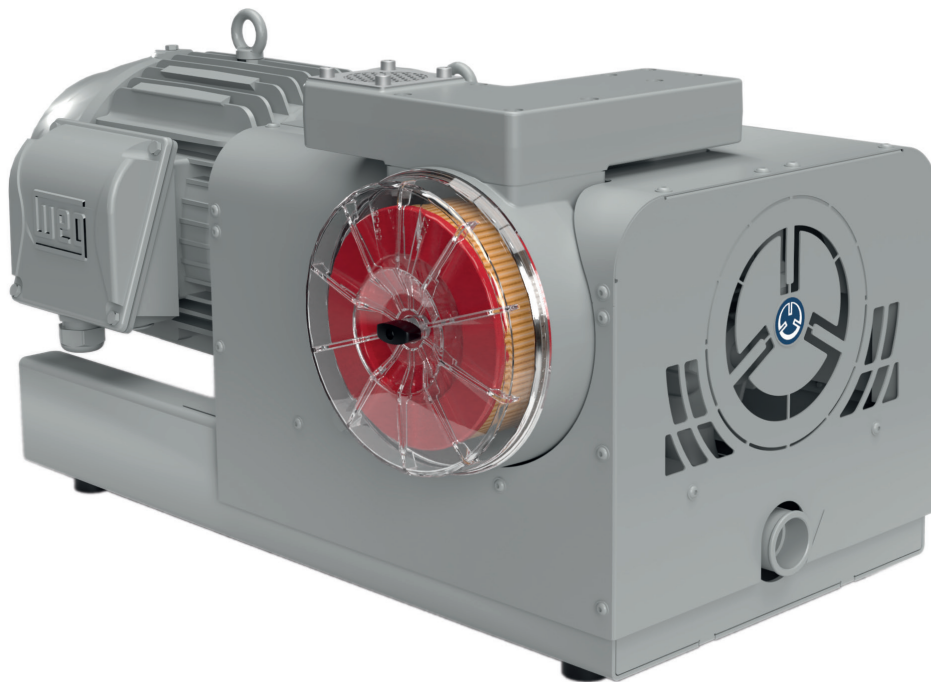
**BCP 100**

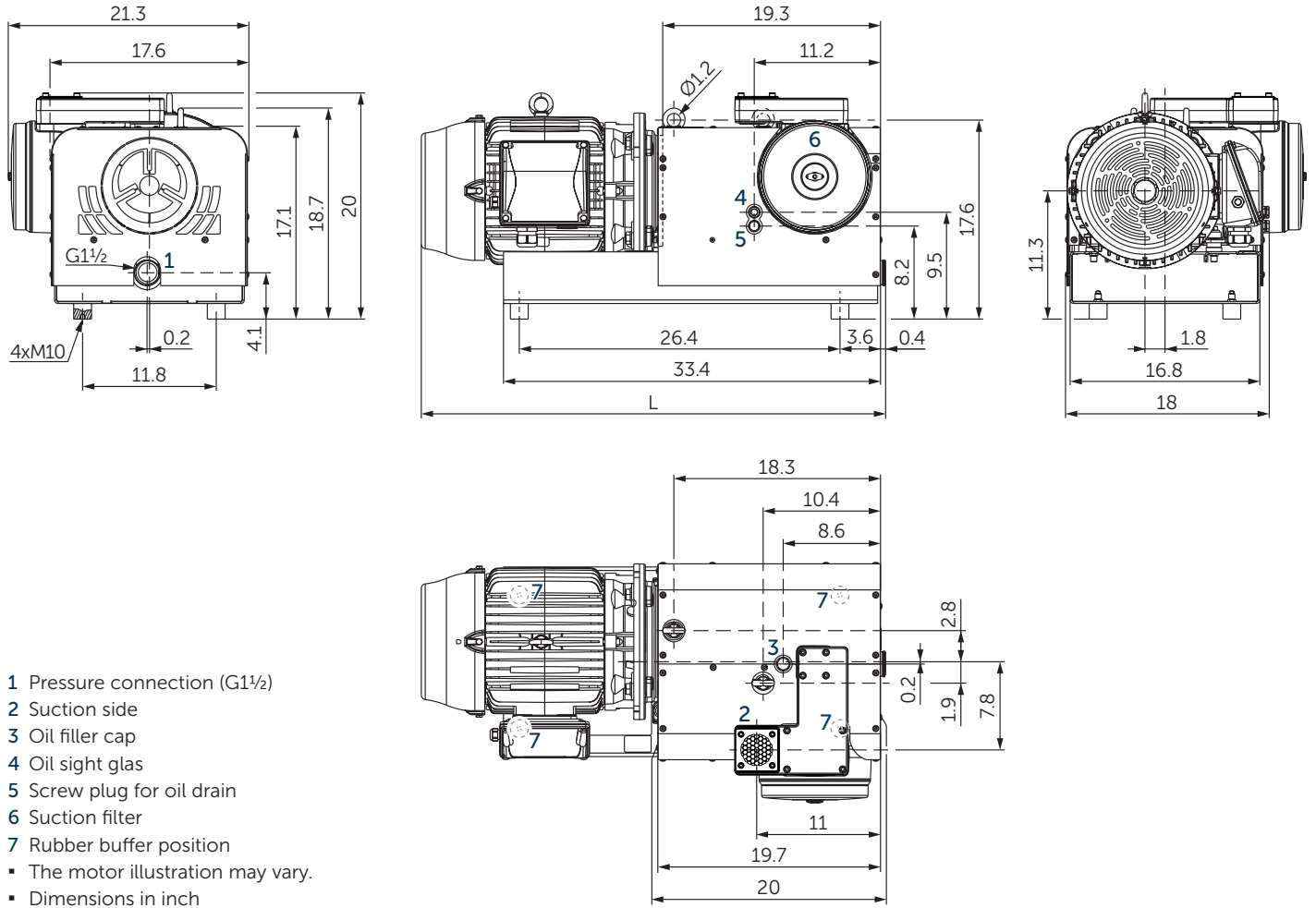
# CLAW COMPRESSORS

dry and contact free compression  
air-cooled

---

**MAKE IT BECKER.**





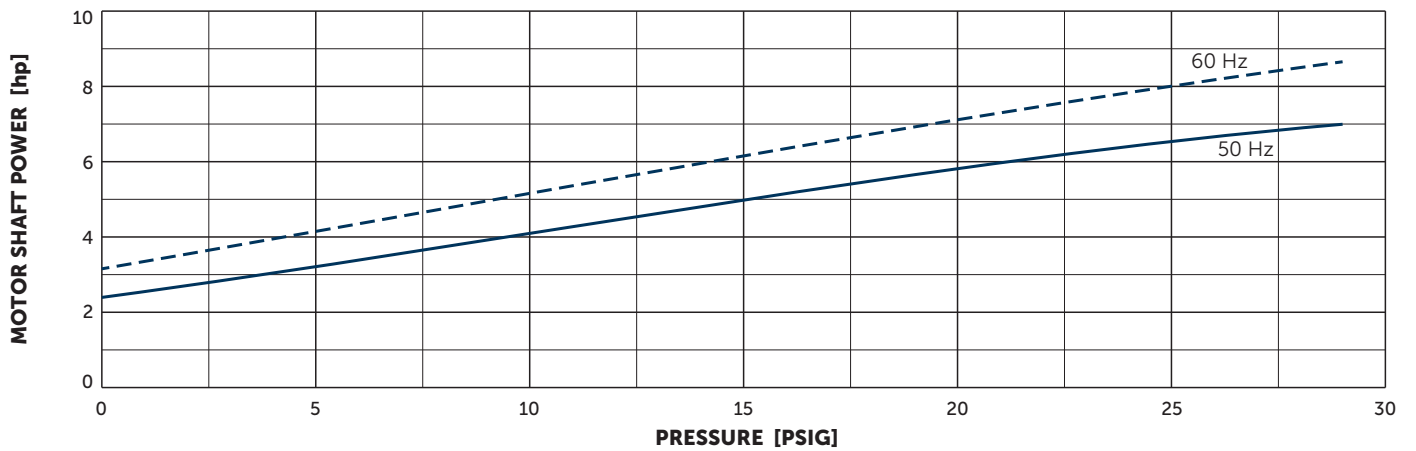
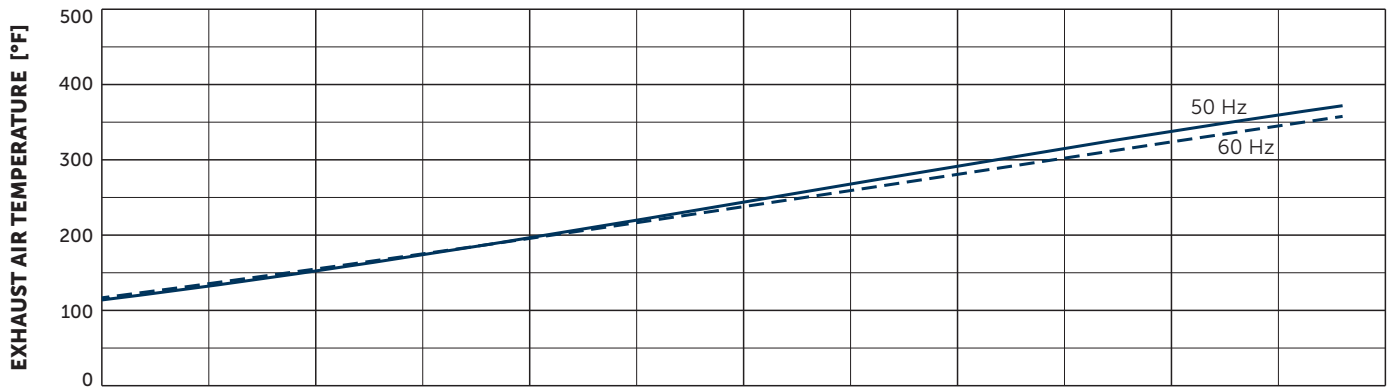
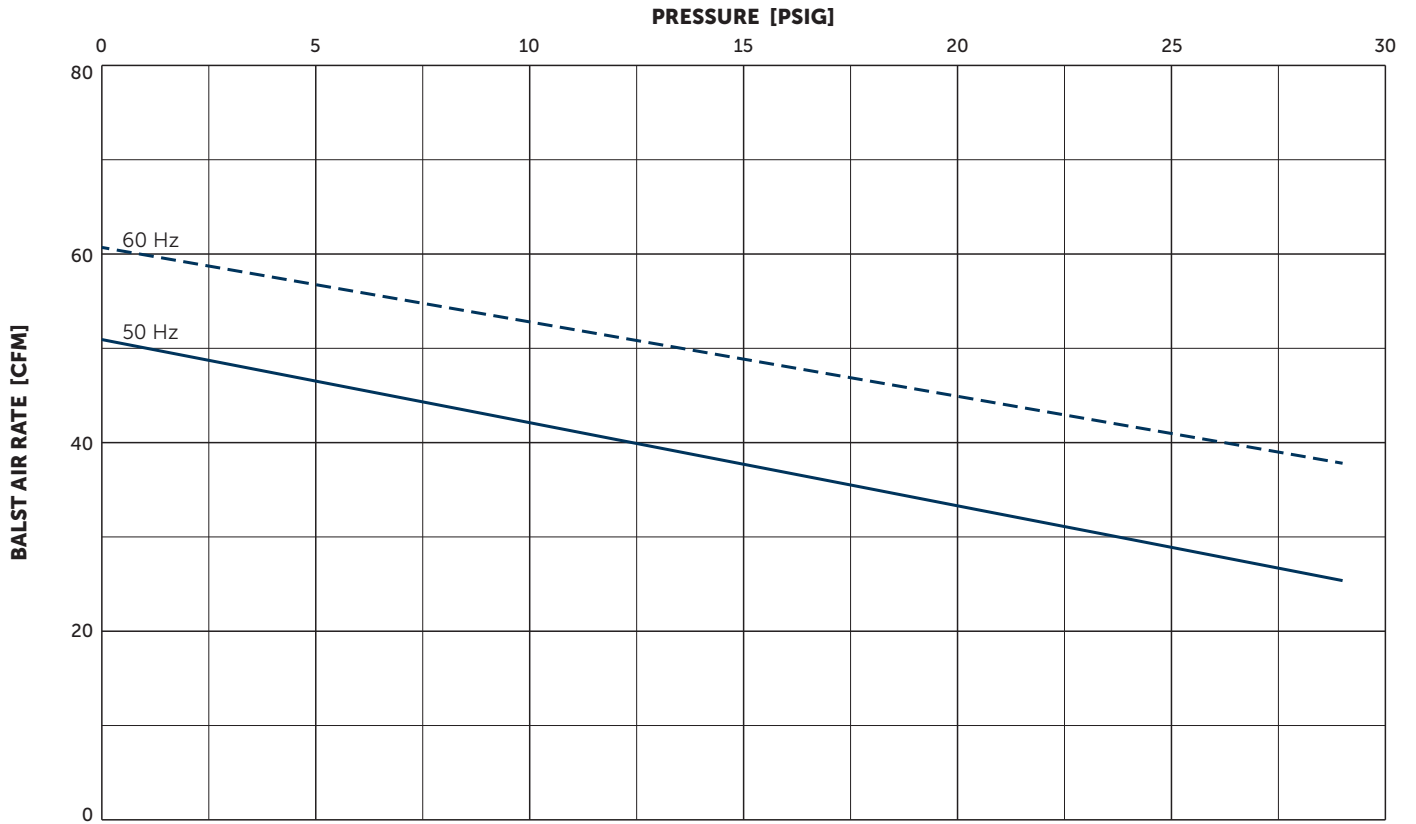
- 1 Pressure connection (G1½)
- 2 Suction side
- 3 Oil filler cap
- 4 Oil sight glass
- 5 Screw plug for oil drain
- 6 Suction filter
- 7 Rubber buffer position
- The motor illustration may vary.
- Dimensions in inch

Nominal capacity		Pressure motor-dependent	Emission sound pressure level <sup>1)</sup>		Weight without motor
CFM			PSIG	dB(A)	
50 Hz	60 Hz		50 Hz	60 Hz	lbs
58.8	70.6	11.6/18.85/21.75/29.0	75 (14.5 PSIG)	77 (14.5 PSIG)	≈228.2

<sup>1)</sup> According to DIN EN ISO 11203, accuracy class of measurement: class 2, extended measurement uncertainty: 3 dB 39.4 inch distance, at medium load, both connection sides piped

Pressure		3~ Motors										Length		
PSIG	#	50 Hz				60 Hz				Version	Weight lbs	L inch		
		hp	V	rpm	A	hp	V	rpm	A					
11.6	01	Δ220/Y380	IE3	2900	10.3/5.95	4.0	Δ - /Y460	IE3	3520	-	/5.01	UL(E104590) CSA • CC029A IP55 • ISO F • PTC	75.0	31.7
		Δ230/Y400	IE3	2910	10.0/5.77									
			Δ240/Y415	IE3	2915	9.82/5.68								
						4.8	Δ230/Y400	IE1	3453	11.6/6.69				
							Δ265/Y460	IE2	3505	10.2/5.87				
	04	4.0	Δ200/Y346	IE3	2935	12.3/7.10	4.8	Δ200/Y346	IE3	3500	13.2/7.63	UL(E104590) CSA • CC029A IP55 • ISO F • PTC	83.8	33.4
							Δ220/Y380	IE3	3520	12.4/7.19				
							Δ - /Y400	IE3	3525	- /6.99				
	02	5.4	Δ230/Y400	IE3	2910	13.2/7.59	5.4	YY230/Y460	IE3	3520	13.5/6.75	UL(E104590) CSA • CC029A IP55 • ISO F • PTC	99.2	32.4
							5.4	YY208/Y -		3500	14.6/ -			
03	5.4	Δ290/Y500	IE3	2910	10.5/6.08	5.4	Δ332/Y575	IE3	3525	9.47/5.47	UL(E104590) CSA • CC029A IP55 • ISO F • PTC	97.0	32.4	
18.85	05	Δ220/Y380	IE3	2890	13.5/7.83	5.4	Δ - /Y460	IE3	3510	-	/6.67	UL(E104590) CSA • CC029A IP55 • ISO F • PTC	97.0	32.4
		Δ230/Y400	IE3	2900	13.2/7.59									
			Δ240/Y415	IE3	2910	13.0/7.49								
						6.4	Δ230/Y400	IE1	3445	15.7/9.05				
							Δ265/Y460	IE3	3495	13.4/7.74				
	08	5.4	Δ200/Y346	IE3	2935	17.0/9.84	6.4	Δ200/Y346	IE3	3500	18.0/10.4	UL(E104590) CSA • CC029A IP55 • ISO F • PTC	103.6	32.4
							Δ220/Y380	IE3	3520	17.2/9.94				
							Δ - /Y400	IE3	3530	- /9.92				
	06	7.4	Δ230/Y400	IE3	2935	18.0/10.3	7.4	YY230/Y460	IE3	3545	18.4/9.18	UL(E104590) CSA • CC029A IP55 • ISO F • PTC	147.7	35.3
							7.4	YY208/Y -		3530	19.6/ -			
07	7.4	Δ290/Y500	IE3	2935	14.2/8.26	7.4	Δ332/Y575	IE3	3545	12.7/7.35	UL(E104590) CSA • CC029A IP55 • ISO F • PTC	145.5	35.3	
29.0	09	Δ380/Y660	IE3	2935	10.8/6.22	7.4	Δ460/Y -	IE3	3550	9.29/ -	-	UL(E104590) CSA • CC029A IP55 • ISO F • PTC	145.5	35.3
		Δ400/Y690	IE3	2940	10.6/6.14									
			Δ415/Y -	IE3	2945	10.6/ -								
						8.9	Δ400/Y690	IE1	3495	12.7/7.34				
							Δ460/Y -	IE1	3530	10.8/ -				
	12	7.4	Δ200/Y346	IE3	2955	22.2/12.9	8.9	Δ200/Y346	IE3	3535	23.7/13.7	UL(E104590) CSA • CC029A IP55 • ISO F • PTC	163.2	35.3
							Δ220/Y380	IE3	3545	22.6/13.1				
							Δ - /Y400	IE3	3550	- /12.7				
	10	10.1	Δ230/Y400	IE3	2930	24.5/14.1	10.1	YY230/Y460	IE3	3540	24.8/12.4	UL(E104590) CSA • CC029A IP55 • ISO F • PTC	156.6	35.3
							10.1	YY208/Y -		3525	26.2/ -			
11	10.1	Δ290/Y500	IE3	2930	19.5/11.3	10.1	Δ332/Y575	IE3	3540	17.2/9.94	UL(E104590) CSA • CC029A IP55 • ISO F • PTC	158.8	35.3	

• Current consumption and rotation speed may vary. Tolerance in each case -1.5/+2%



Suction air rate refers to the intake pressure  
 Reference data (atmosphere): 0 PSIG, 68°F; Tolerance: ±10%



**MAKE IT BECKER.**