

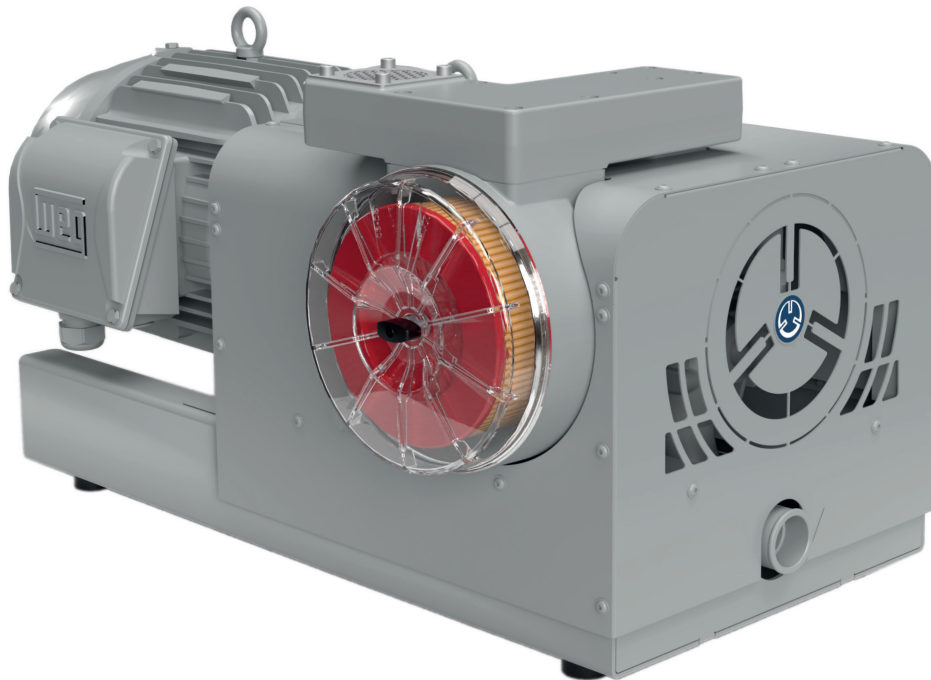
DATA SHEET

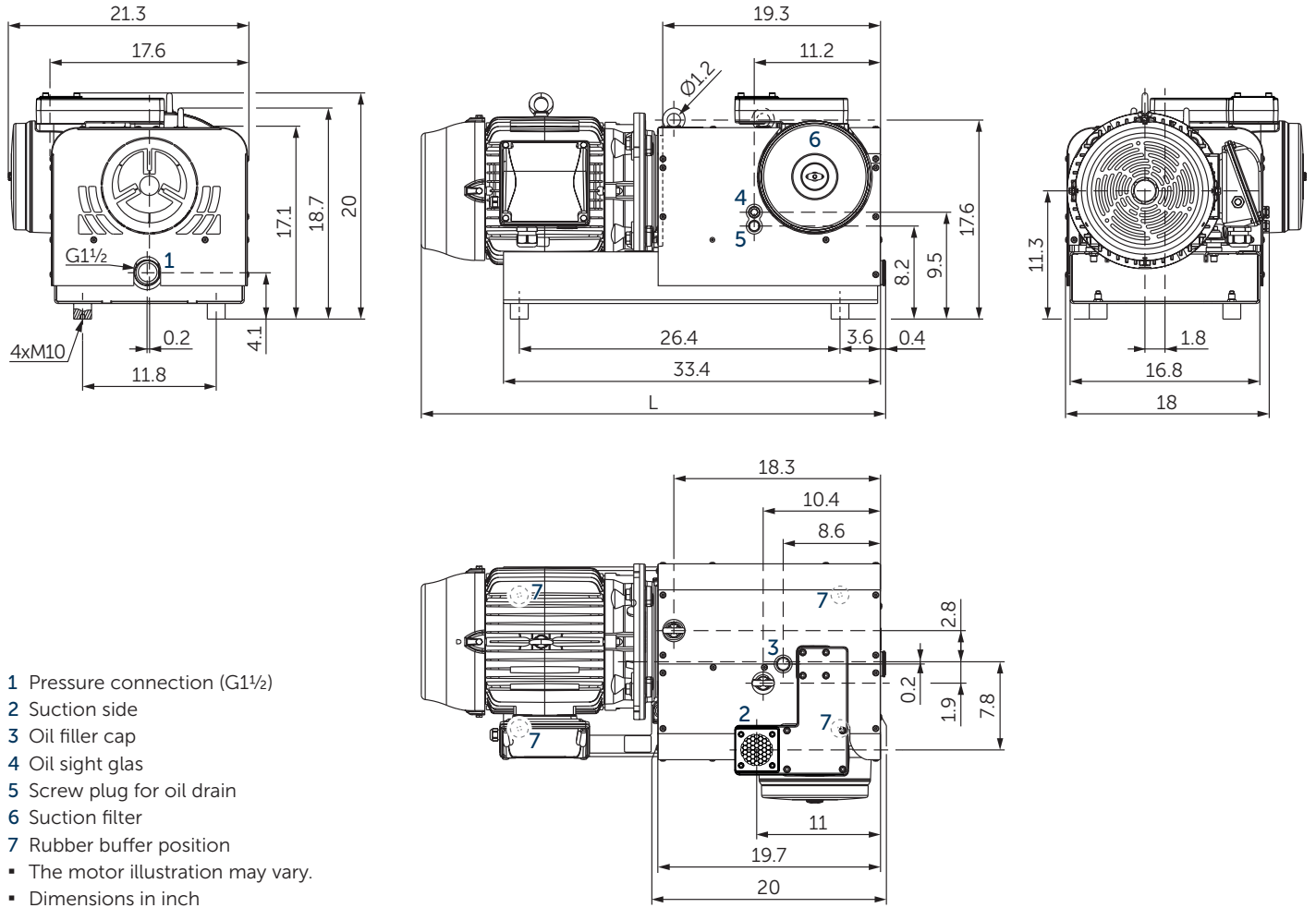
BCP 150

CLAW COMPRESSORS

dry and contact free compression
air-cooled

MAKE IT BECKER.



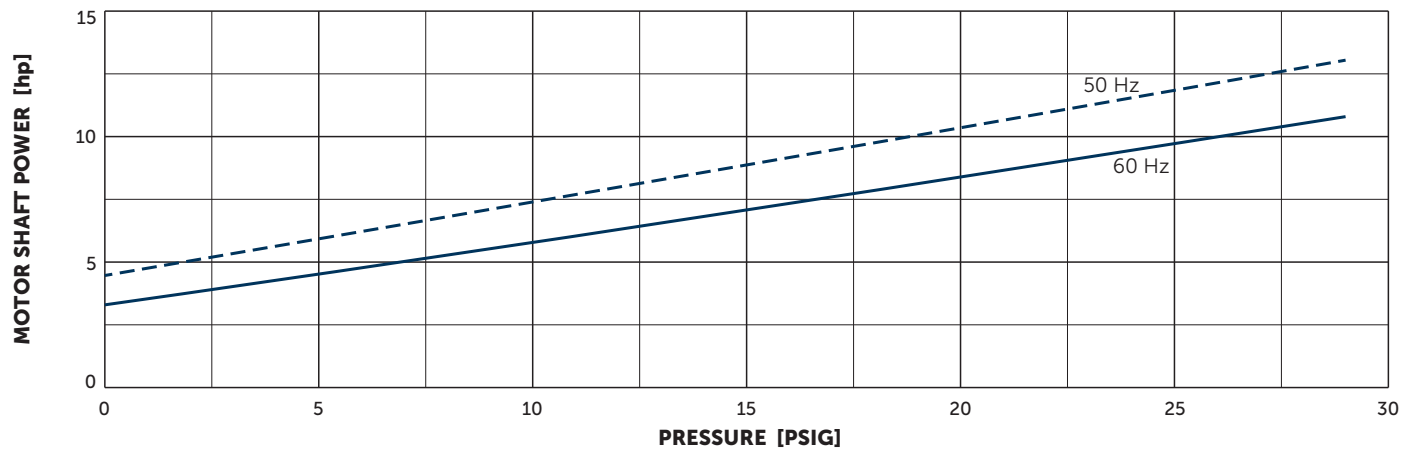
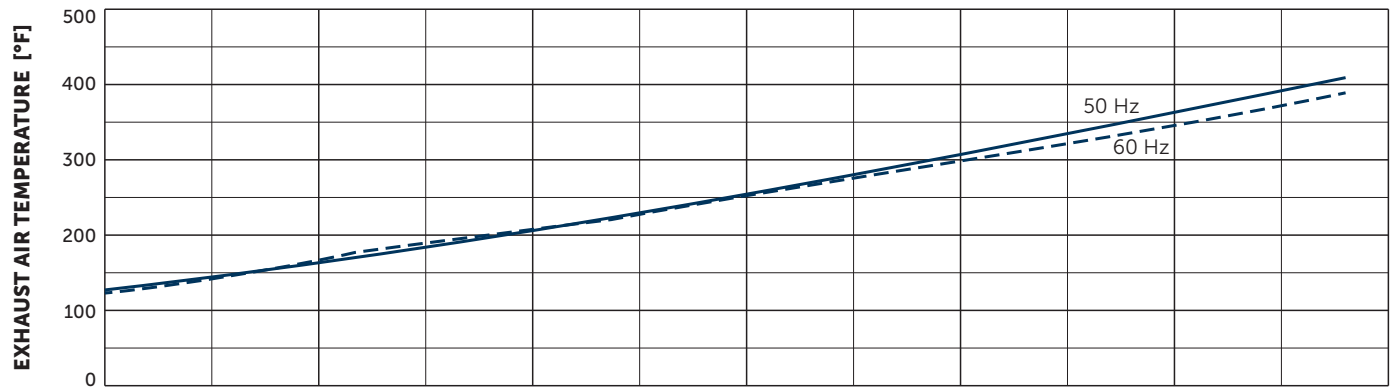
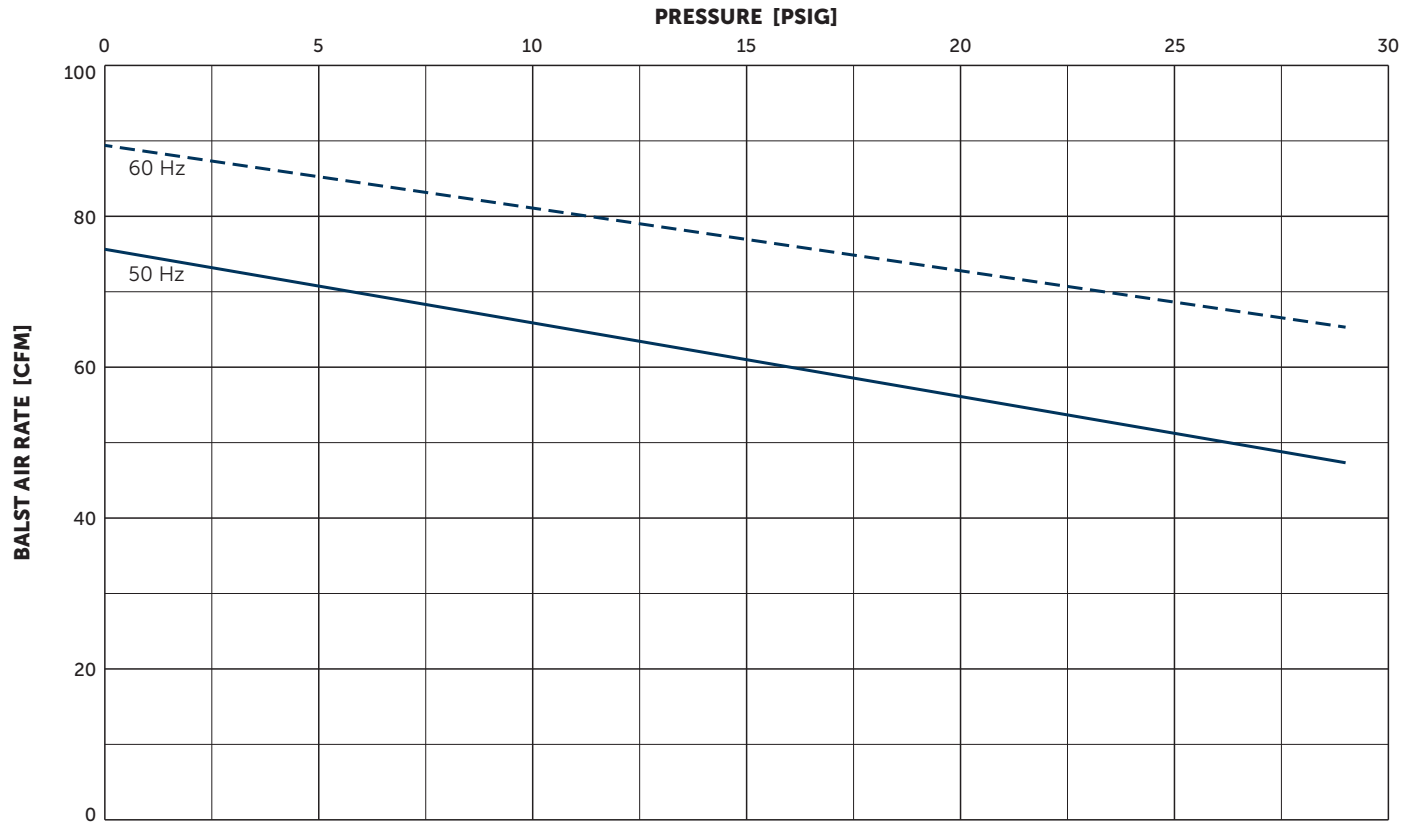


Nominal capacity		Pressure motor-dependent	Emission sound pressure level ¹⁾		Weight without motor
CFM			PSIG	dB(A)	
50 Hz	60 Hz		50 Hz	60 Hz	lbs
88.2	105.9	14.5/18.85/24.65/29.0	77 (14.5 PSIG)	78 (14.5 PSIG)	≈256.9

¹⁾ According to DIN EN ISO 11203, accuracy class of measurement: class 2, extended measurement uncertainty: 3 dB 39.4 inch distance, at medium load, both connection sides piped

Pressure PSIG	3~ Motors											Length L inch	
	#	50 Hz				60 Hz				Version	Weight lbs		
	hp	V	rpm	A	hp	V	rpm	A					
14.5	01	Δ380/Y660	IE3	2935	10.8/6.22	7.4	Δ460/Y -	IE3	3550	9.29/ -	UL(E104590) CSA • CC029A IP55 • ISO F • PTC	145.5	35.3
		Δ400/Y690	IE3	2940	10.6/6.14								
14.5	02	Δ400/Y690	IE1	3495	12.7/7.34	8.9	Δ460/Y -	IE1	3530	10.8/ -	UL(E104590) CSA • CC029A IP55 • ISO F • PTC	163.2	35.3
		Δ200/Y346	IE3	2955	22.2/12.9								
18.85	03	Δ - /Y400	IE3	3550	- /12.7	10.1	YY230/Y460	IE3	3540	24.8/12.4	UL(E104590) CSA • CC029A IP55 • ISO F • PTC	156.6	35.3
		Δ230/Y400	IE3	2930	24.5/14.1								
24.65	04	Δ230/Y400	IE3	2930	24.5/14.1	10.1	Δ332/Y575	IE3	3540	17.2/9.94	UL(E104590) CSA • CC029A IP55 • ISO F • PTC	158.8	35.3
		Δ290/Y500	IE3	2930	19.5/11.3								
24.65	05	Δ400/Y690	IE3	2925	14.1/8.17	10.1	Δ460/Y -	IE3	3535	12.4/ -	UL(E104590) CSA • CC029A IP55 • ISO F • PTC	154.4	35.3
		Δ380/Y660	IE3	2915	14.4/8.29								
29.0	06	Δ400/Y690	IE1	3470	16.5/9.56	12.1	Δ200/Y346	IE3	3510	32.0/18.5	UL(E104590) CSA • CC029A IP55 • ISO F • PTC	183.0	36.8
		Δ220/Y380	IE3	3530	29.8/17.2								
29.0	07	Δ220/Y380	IE3	3530	29.8/17.2	12.1	Δ - /Y400	IE3	3535	- /16.7	UL(E104590) CSA • CC029A IP55 • ISO F • PTC	183.0	36.8
		Δ380/Y660	IE3	2920	17.1/9.85								
29.0	08	Δ460/Y -				14.8	Δ200/Y346	IE3	3535	47.6/27.5	UL(E104590) CSA • CC029A IP55 • ISO F • PTC	249.2	40.5
		Δ400/Y -											
29.0	09	Δ - /Y400	IE3	3555	- /25.2	14.8	YY230/Y460	IE3	3557	35.7/17.8	UL(E104590) CSA • CC029A IP55 • ISO F • PTC	260.2	40.5
		Δ230/Y400	IE3	2949	35.2/20.2								
	10	Δ290/Y500	IE3	2950	27.5/16.0	14.8	Δ332/Y575	IE3	3555	24.7/14.3	UL(E104590) CSA • CC029A IP55 • ISO F • PTC	249.2	40.5

• Current consumption and rotation speed may vary. Tolerance in each case -1.5/+2%



Suction air rate refers to the intake pressure
 Reference data (atmosphere): 0 PSIG, 68°F; Tolerance: ±10%



MAKE IT BECKER.