

DATA SHEET

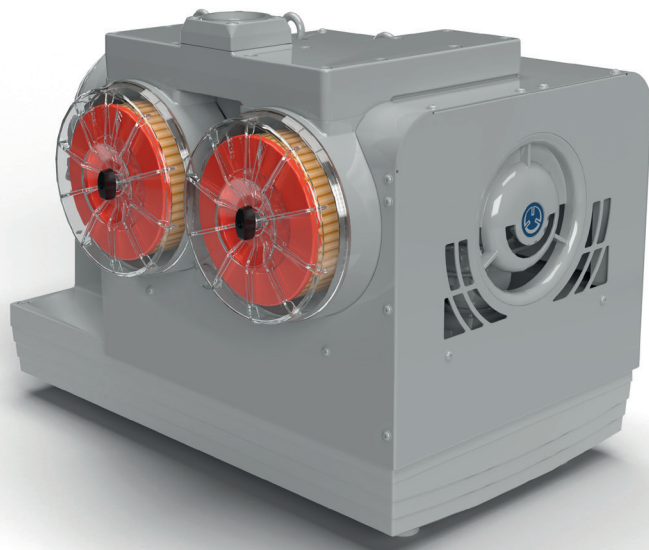
BCV 300

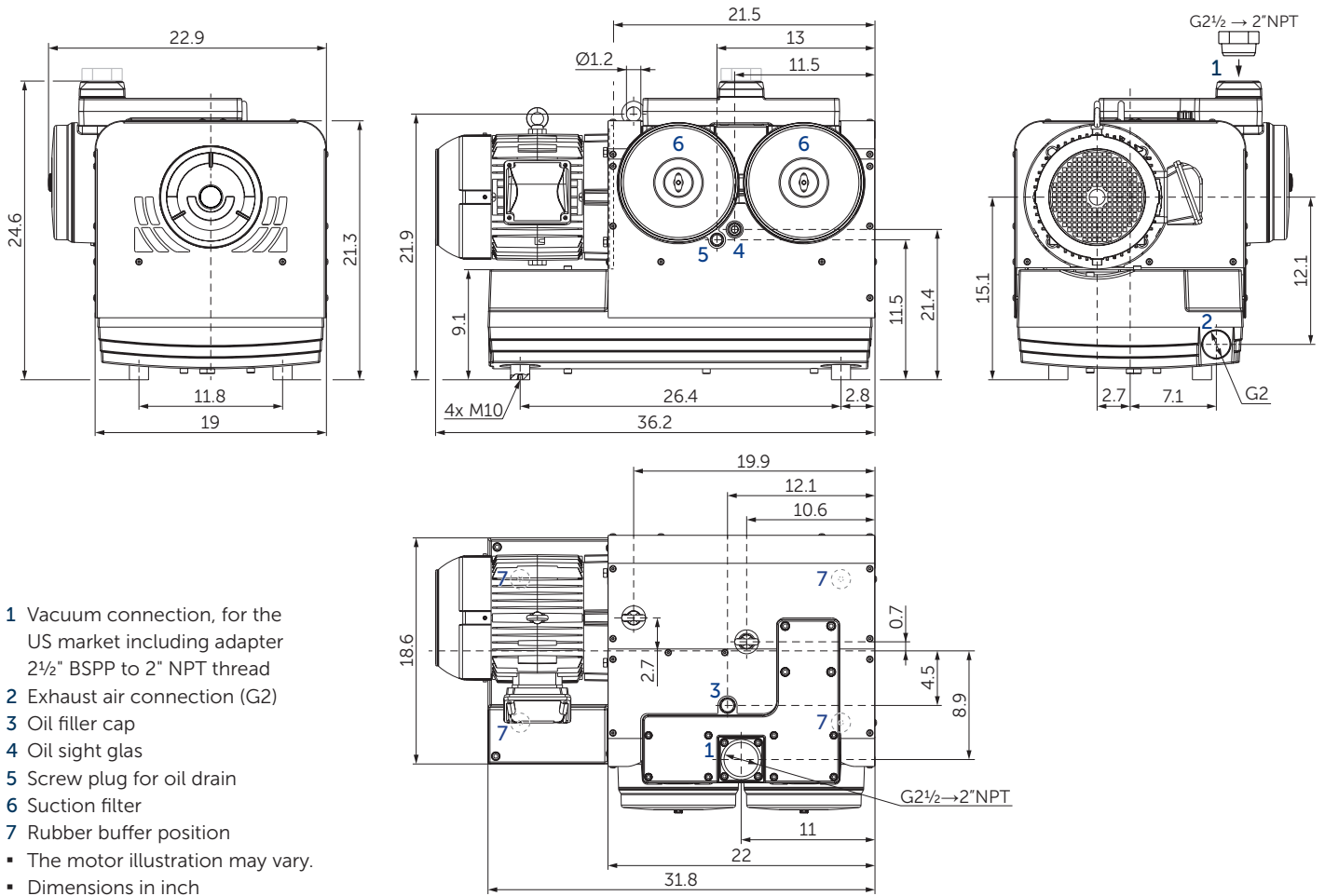
CLAW

VACUUM PUMPS

dry and contact free compression
air-cooled

MAKE IT BECKER.





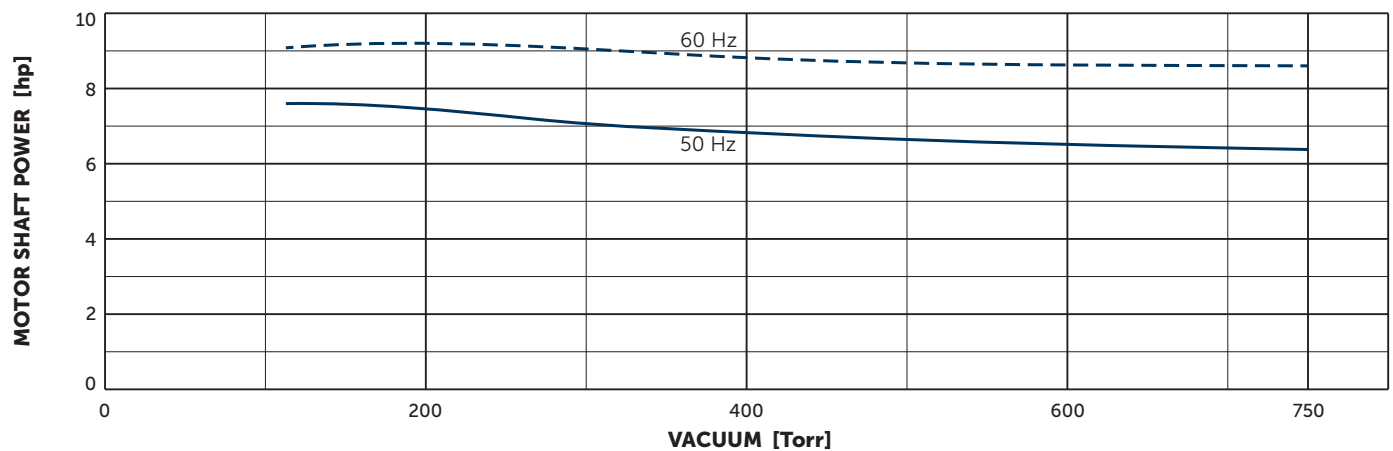
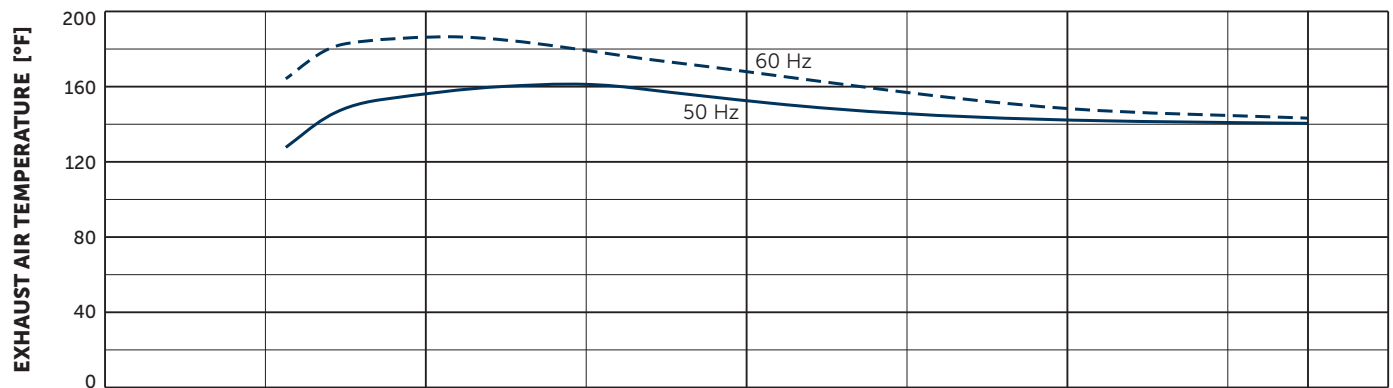
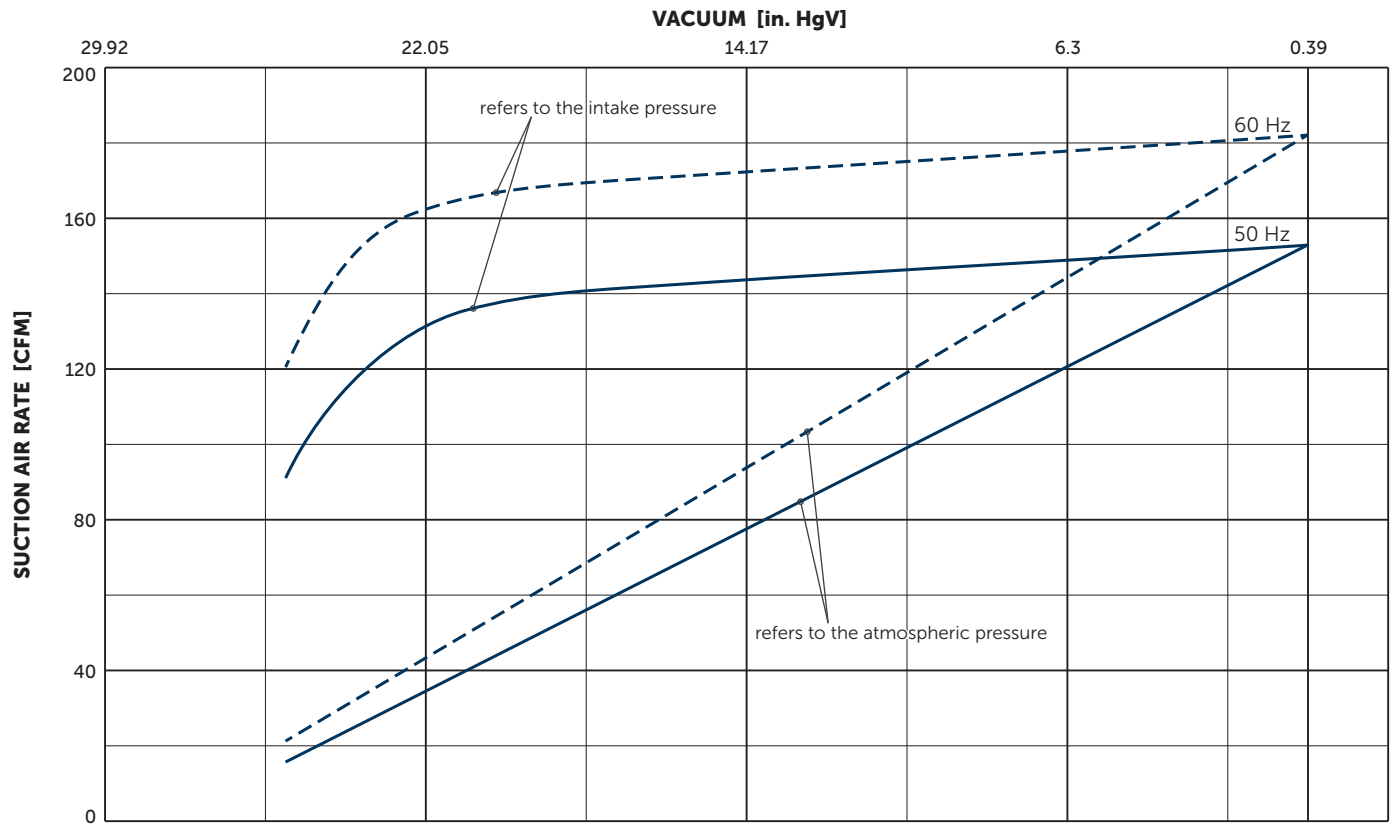
- 1 Vacuum connection, for the US market including adapter 2½" BSPP to 2" NPT thread
 - 2 Exhaust air connection (G2)
 - 3 Oil filler cap
 - 4 Oil sight glass
 - 5 Screw plug for oil drain
 - 6 Suction filter
 - 7 Rubber buffer position
- The motor illustration may vary.
 - Dimensions in inch

Nominal capacity		Vacuum		Emission sound pressure level ¹⁾		Weight without motor
CFM		Torr	in. HgV	dB(A)		lbs
50 Hz	60 Hz	50 & 60 Hz	50 & 60 Hz	50 Hz	60 Hz	
161.7	191.1	112.5	25.1	69 (300 Torr)	72 (300 Torr)	758.5

3~ Motors												
#	50 Hz					60 Hz				Version	Weight lbs	
	hp	V	rpm	A	hp	V	rpm	A				
01	7.4	Δ380/Y660	IE3	2935	10.8/6.22	7.4	Δ460/Y -	IE3	3550	9.29/ -	UL(E104590) • CSA • CC029A IP55 • ISO F • PTC	145.5
		Δ400/Y690	IE3	2940	10.6/6.14							
		Δ415/Y -	IE3	2945	10.6/ -							
02	10.1	Δ230/Y400	IE3	2930	24.5/14.1	10.1	YY230/Y460	IE3	3540	24.8/12.4	UL(E104590) • CSA • CC029A IP55 • ISO F • PTC	156.6
03	10.1	Δ290/Y500	IE3	2930	19.5/11.3	10.1	Δ332/Y575	IE3	3540	17.2/9.94	UL(E104590) • CSA • CC029A IP55 • ISO F • PTC	158.8
04	7.4	Δ200/Y346	IE3	2955	22.2/12.9	8.9	Δ200/Y346	IE3	3535	23.7/13.7	UL(E104590) • CSA • CC029A IP55 • ISO F • PTC	163.2
							Δ220/Y380	IE3	3545	22.6/13.1		
							Δ - /Y400	IE3	3550	- /12.7		

¹⁾ According to DIN EN ISO 11203, accuracy class of measurement: class 2, extended measurement uncertainty: 3 dB 39.4 inch distance, at medium load, both connection sides piped

▪ Current consumption and rotation speed may vary. Tolerance in each case -1.5/+2%



Suction air rate refers to the intake pressure
 Reference data (atmosphere): 750 Torr, 68°F; Tolerance: ±10%



MAKE IT BECKER.