

DATA SHEET

DVT 3.60

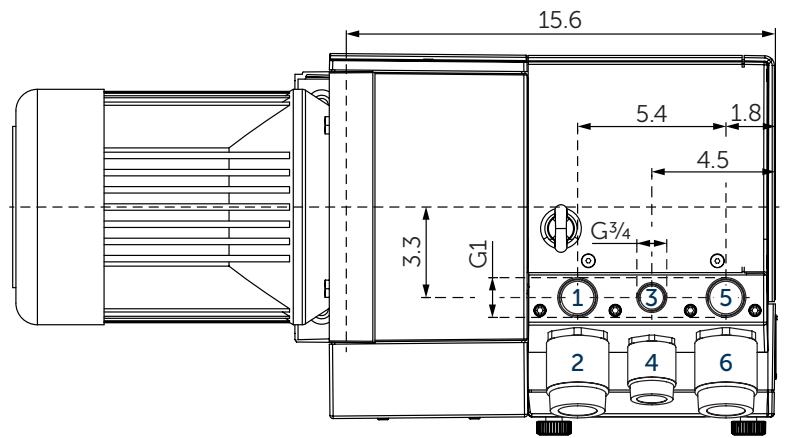
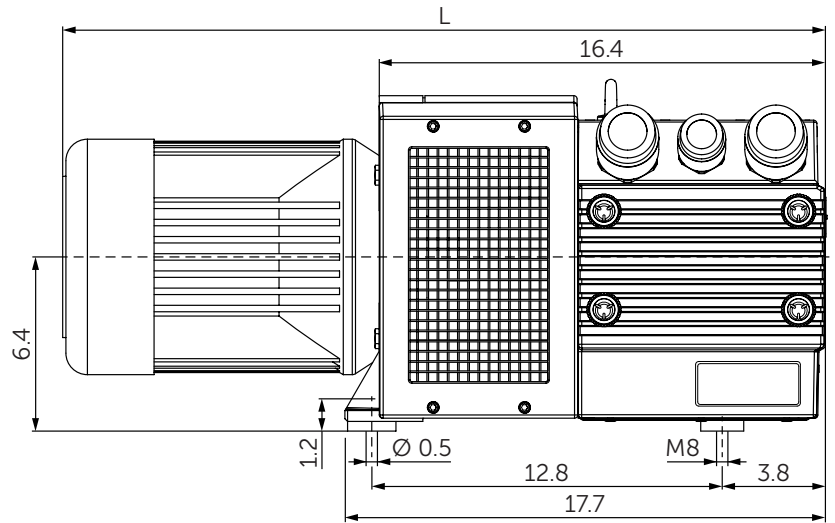
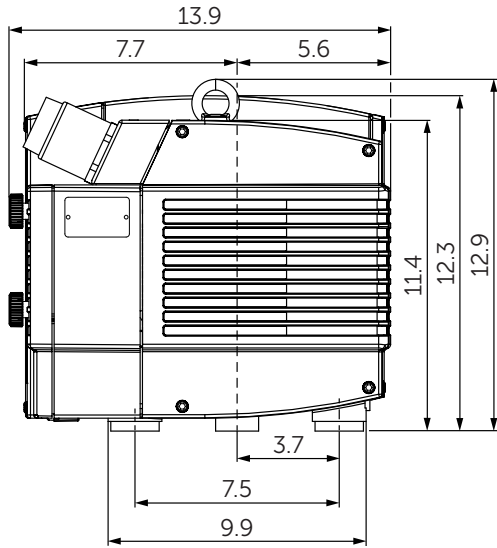
ROTARY VANE PRESSURE/VACUUM PUMPS

oil-free

air-cooled

MAKE IT BECKER.





- 1 Pressure connection (G1)
- 2 Pressure regulating valve
- 3 Option: second suction (G $\frac{3}{4}$)
- 4 Option: vacuum regulating valve for second suction
- 5 Vacuum connection (G1)
- 6 Vacuum regulating valve
- The motor illustration may vary.
- Dimensions in inch

Capacity		Pressure		Vacuum		Motors		Emission sound pressure level ¹⁾		Weight w/o motor
CFM		PSIG		in. HgV		hp		dB(A)		lbs
50 Hz	60 Hz	50 Hz	60 Hz	50 Hz	60 Hz	50 Hz	60 Hz	50 Hz	60 Hz	
34	40	7.25	7.25	15	15	3.0	3.5	74-75	75-76	104
34	40	8.7	8.7	18	18	4.0	5.0	74-75	75-76	104

¹⁾ DIN EN ISO 3744 (KpA = 3 dB(A)), interval of 39.4inch, at medium load, both connection sides piped

3~ Motors													L
#	50 Hz				60 Hz				Version	Weight lbs	inch		
	hp	V	rpm	A	hp	V	rpm	A					
01	3.0	Δ230/Y400	IE3	1440	8.2/4.8	3.5	Δ265/Y460 Δ230/Y400	IE3	1735 1705	8.2/4.8 9.0/5.2	IP55 • ISO F • bimetal	54.0	27.7
02						3.5	YY230/Y460 YY208	IE3	1765 1755	9.3/4.6 9.7	UL(E365362) • CSA CC334B IP55 • ISO F • bimetal	81.6	29.4
03	3.0	Δ200/Y350	IE3	1470	10.4/6.0	3.5	Δ220/Y380–400 Δ200/Y350	IE3	1760 1755	10.0/5.8–5.8 10.2/5.9	UL(E365362) • CSA CC334B IP55 • ISO F • bimetal	81.6	29.4
04						3.5	Δ400/Y690	IE3	1760	5.3/3.1	UL(E365362) • CSA CC334B IP55 • ISO F • bimetal	81.6	29.4
05	4.0	Δ230/Y400	IE3	1445	12.1/7.0	5.0	Δ265/Y460 Δ230/Y400	IE3	1735 1705	12.0/6.9 12.7/7.4	IP55 • ISO F • bimetal	63.9	28.9
06						5.0	YY230/Y460 YY208	IE3	1755 1735	12.7/6.3 13.5	UL(E365362) • CSA CC334B IP55 • ISO F • bimetal	81.6	29.4
07	4.0	Δ200/Y350	IE3	1465	14.2/8.2	5.0	Δ220/Y380–400 Δ200/Y350	IE3	1755 1745	13.5/7.8–7.5 13.8/8.0	UL(E365362) • CSA CC334B IP55 • ISO F • bimetal	81.6	29.4
08						5.0	Δ400/Y690	IE3	1760	7.6/4.4	UL(E365362) • CSA CC334B IP55 • ISO F • bimetal	81.6	29.4
09						5.0	YY230/Y460 YY208	IE3	1800 1730	12.8/6.4 14.2	UL • CSA • NEMA ISO F	95.0	28.5

• Current consumption and rotation speed may vary. Tolerance in each case -1.5/+2%

Air rates • power consumptions • temperatures										
Pressure			Vacuum							
			50 Hz				60 Hz			
PSIG			0 in. HgV	12 in. HgV	15 in. HgV	18 in. HgV	0 in. HgV	12 in. HgV	15 in. HgV	18 in. HgV
5.80	Suction air rate	CFM	33.0	17.2	12.8	9.8	38.4	20.8	16.5	12.7
	Blast air rate	CFM	34.1	25.1	22.1	20.0	40.4	29.4	26.3	23.1
	Motor shaft power	hp	2.43	2.83	2.92	2.96	3.30	3.71	3.79	3.84
	Exhaust air temperature	°F	102.2	109.4	111.2	113	107.6	113	113	113
7.25	Suction air rate	CFM	32.5	16.8	13.1	9.5	38.3	20.5	15.9	12.4
	Blast air rate	CFM	33.5	24.7	22.0	19.4	40.2	29.3	25.6	22.8
	Motor shaft power	hp	2.57	3.01	3.06	3.14	3.44	3.88	3.88	3.97
	Exhaust air temperature	°F	104	109.4	111.2	113	109.4	113	113	114.8
8.70	Suction air rate	CFM	32.1	16.7	12.9	9.2	37.6	20.0	16.0	12.1
	Blast air rate	CFM	33.1	24.4	21.8	19.1	39.5	28.4	25.5	22.4
	Motor shaft power	hp	2.61	3.10	3.18	3.26	3.54	3.97	4.09	4.13
	Exhaust air temperature	°F	104	111.2	113	113	111.2	116.6	116.6	118.4

• Reference data (atmosphere): 0 PSIG (in. HgV), 68°F; Tolerance: ±5%
 • Air temperature: 41°F ... 135°F

+ VARIANTS AND ACCESSORIES

- With first and second suction
- With external suction filter¹⁾
- Sound proof box SH 13¹⁾



Example for an external suction filter



Sound proof box SH 13

¹⁾ See separate data sheet

- Possible combinations on request



MAKE IT BECKER.