

DATA SHEET

DVT 3.80

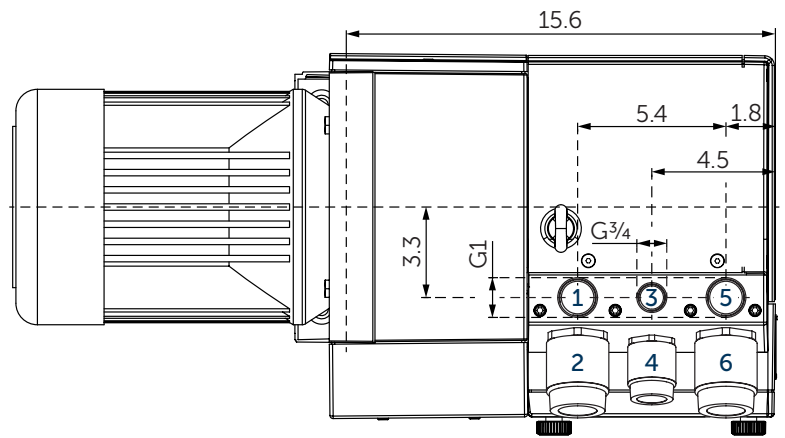
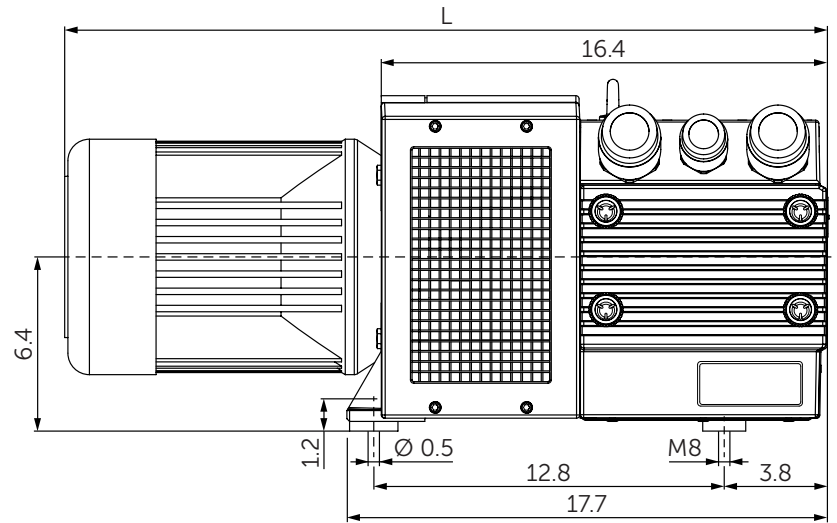
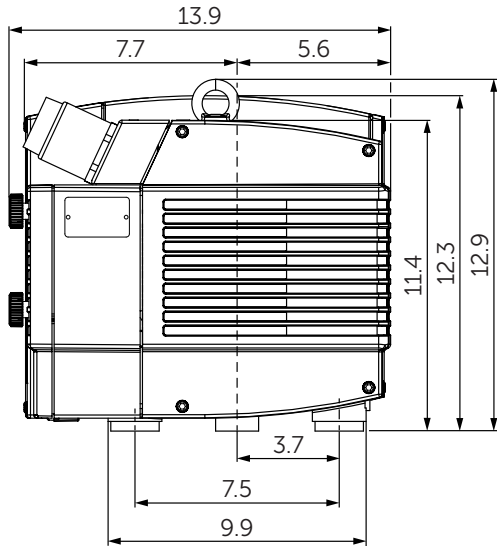
ROTARY VANE PRESSURE/VACUUM PUMPS

oil-free

air-cooled

MAKE IT BECKER.





- 1 Pressure connection (G1)
- 2 Pressure regulating valve
- 3 Option: second suction (G $\frac{3}{4}$)
- 4 Option: vacuum regulating valve for second suction
- 5 Vacuum connection (G1)
- 6 Vacuum regulating valve
- The motor illustration may vary.
- Dimensions in inch

Capacity		Pressure		Vacuum		Motor		Emission sound pressure level ¹⁾		Weight w/o motor
CFM		PSIG		in. HgV		hp		dB(A)		lbs
50 Hz	60 Hz	50 Hz	60 Hz	50 Hz	60 Hz	50 Hz	60 Hz	50 Hz	60 Hz	
41	48	7.25	7.25	15	15	5.4	5.0/6.0/6.4	75-76	76-77	108
41	48	8.7	8.7	18	18	5.4	5.0/6.0/6.4	75-76	76-77	108

¹⁾ DIN EN ISO 3744 (KpA = 3 dB(A)), interval of 39.4inch, at medium load, both connection sides piped

3~ Motors												L	
#	50 Hz					60 Hz				Version	Weight lbs	inch	
	hp	V	rpm	A	hp	V	rpm	A					
01	5.4	Δ230/Y400	IE3	1445	15.5/8.9	6.4	Δ265/Y460	1745	14.9/8.6	IP55 • ISO F • bimetal	34.0	32.7	
							Δ230/Y400	1720	15.9/9.2				
02	5.4	Δ200/Y400	IE3	1465	18.0/9.0	6.0	YY230/Y460	IE3	1759	18.4/9.2	UL(E235514) • CSA CC329B IP55 • ISO F • bimetal	40.0	34.0
							YY208	IE3	1753	18.7			
03						6.4	YY230/Y460	IE3	1781	15.4/8.9	UL(E235514) • CSA CC329B IP55 • ISO F • bimetal	58.0	35.5
							YY208		1770	18.4			
04	5.4	Δ200/Y350	IE3	1467	20.3/11.7	6.0	Δ220/Y380-400	IE3	1760	18.5/10.7-10.2	UL(E235514) • CSA CC329B IP55 • ISO F • bimetal	40.0	34.0
							Δ200/Y350	IE3	1753	19.0/11.0			
05						6.0	Δ400/Y690	IE3	1768	11.0/6.35	UL(E235514) • CSA CC329B IP55 • ISO F • bimetal	40.0	34.0
06						6.4	Δ400/Y690	IE3	1775	10.75/6.2	UL(E365362) • CSA IP55 • ISO F • bimetal	64.5	38.1
07						5.0	YY230/Y460	IE3	1800	12.8/6.4	UL • CSA • NEMA ISO F	95.0	28.5
							YY208		1730	14.2			

• Current consumption and rotation speed may vary. Tolerance in each case -1.5/+2%

Air rates • power consumptions • temperatures										
Pressure			Vacuum							
			50 Hz				60 Hz			
PSIG			0 in. HgV	12 in. HgV	15 in. HgV	18 in. HgV	0 in. HgV	12 in. HgV	15 in. HgV	18 in. HgV
5.80	Suction air rate	CFM	37.7	19.1	14.7	10.6	45.7	24.0	18.8	14.0
	Blast air rate	CFM	38.8	30.5	28.0	25.4	48.7	37.1	33.4	30.0
	Motor shaft power	hp	2.88	3.51	3.60	3.70	3.97	4.53	4.57	4.60
	Exhaust air temperature	°F	105.8	113	114.8	116.6	111.2	118.4	120.2	120.2
7.25	Suction air rate	CFM	37.6	19.0	14.7	10.7	45.0	23.9	18.8	13.8
	Blast air rate	CFM	38.3	30.3	27.7	25.3	47.9	37.0	33.4	29.8
	Motor shaft power	hp	2.96	3.60	3.73	3.81	3.98	4.60	4.68	4.71
	Exhaust air temperature	°F	105.8	116.6	116.6	118.4	111.2	120.2	123.8	122
8.70	Suction air rate	CFM	37.1	18.8	14.5	10.3	44.7	23.9	18.6	13.8
	Blast air rate	CFM	38.1	30.1	27.5	24.9	47.4	36.8	33.0	29.5
	Motor shaft power	hp	3.07	3.74	3.84	3.96	4.09	4.73	4.79	4.86
	Exhaust air temperature	°F	109.4	114.8	118.4	118.4	114.8	123.8	123.8	123.8

• Reference data (atmosphere): 0 PSIG (in. HgV), 68°F; Tolerance: ±5%
 • Air temperature: 41°F ... 135°F

+ VARIANTS AND ACCESSORIES

- With first and second suction
- With external suction filter¹⁾
- Sound proof box SH 13¹⁾



Example for an external suction filter



Sound proof box SH 13

¹⁾ See separate data sheet

- Possible combinations on request



MAKE IT BECKER.