

DATA SHEET

KDT 3.80

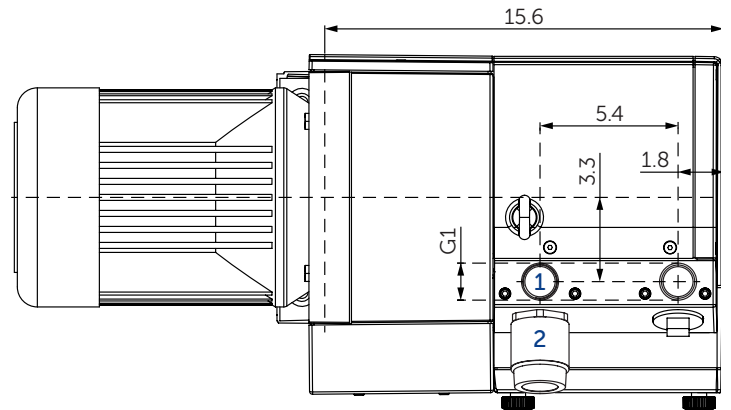
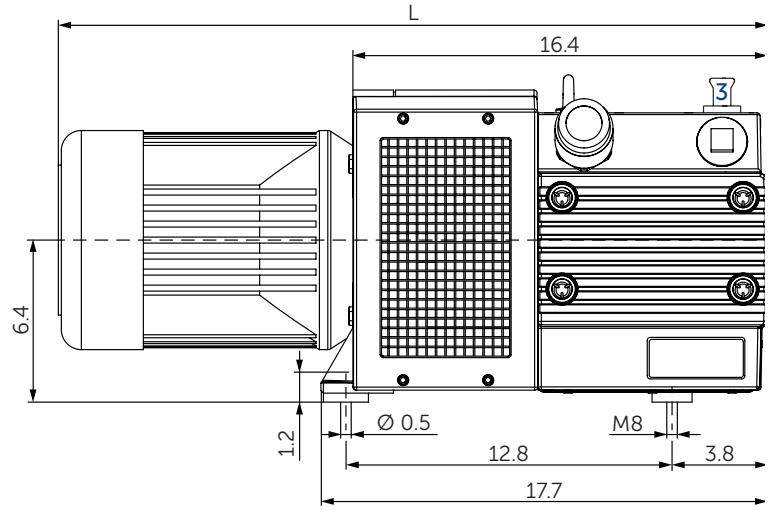
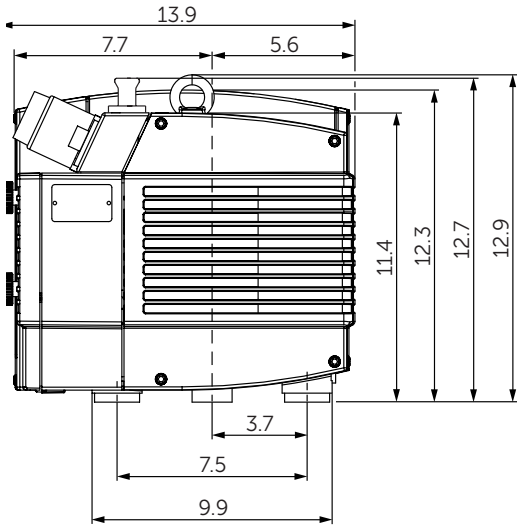
ROTARY VANE COMPRESSORS

oil-free

air-cooled

MAKE IT BECKER.





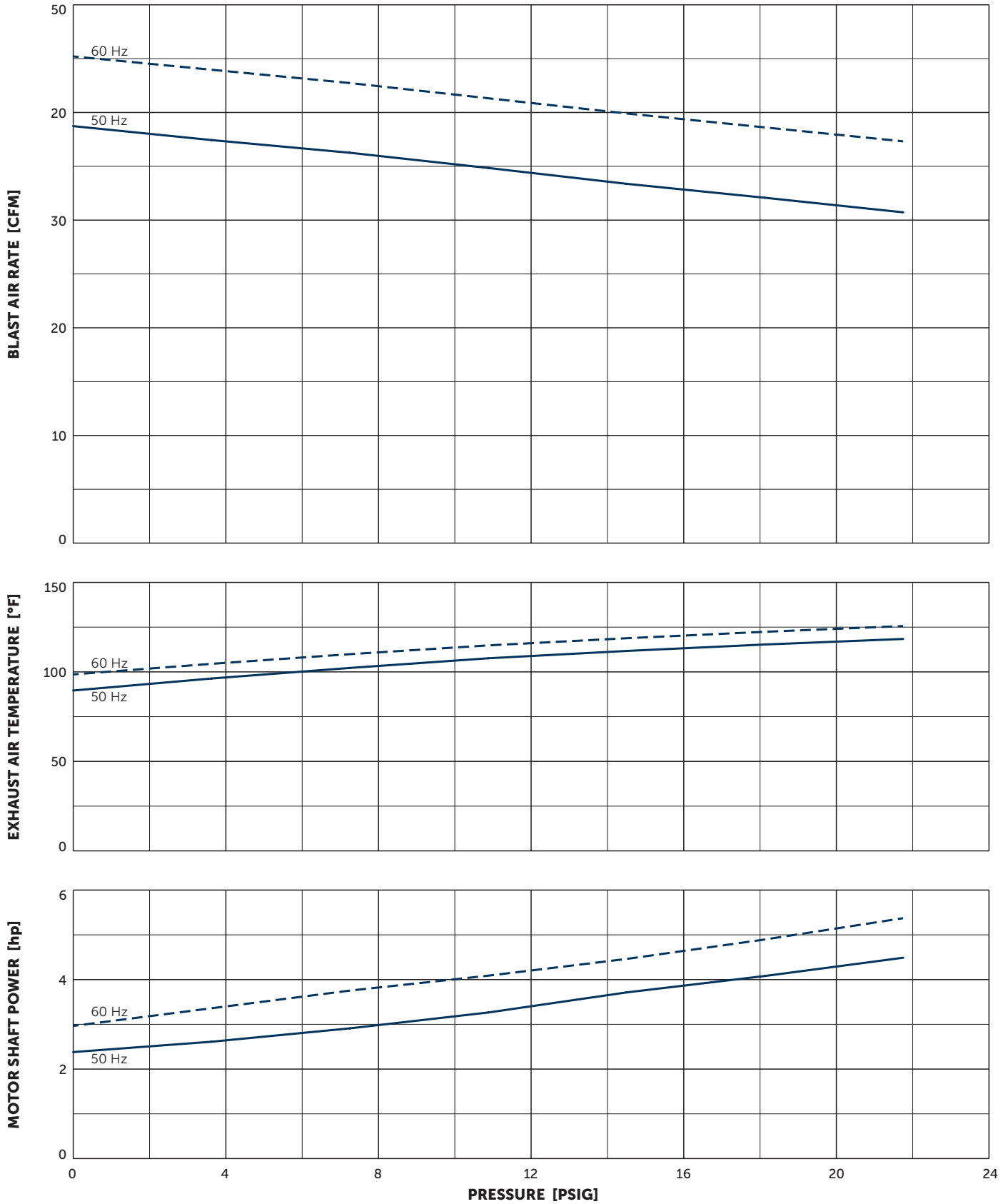
- 1 Pressure connection (G1)
- 2 Pressure regulating valve
- 3 Air nozzle
- Including integrated suction air filter
- The motor illustration may vary.
- Dimensions in inch

| Blast air rate | | Pressure | | Motors | | Emission sound pressure level ¹⁾ | | Weight without motor |
|----------------|-------|----------|-------|--------|-----------|---|-------|----------------------|
| CFM | | PSIG | | hp | | dB(A) | | lbs |
| 50 Hz | 60 Hz | 50 Hz | 60 Hz | 50 Hz | 60 Hz | 50 Hz | 60 Hz | |
| 39 | 45 | 7.25 | 7.25 | 3.0 | 3.5 | 73 | 75 | 108 |
| 39 | 45 | 14.5 | 14.5 | 4.0 | 4.8 | 74 | 76 | 108 |
| 39 | 45 | 21.75 | 21.75 | 5.4 | 6.4 (7.5) | 74 | 76 | 108 |

¹⁾ According to DIN EN ISO 3744 (KpA = 3 dB(A)), 39.4 inch distance, at medium load, both connection sides piped

| 3~ Motors ¹⁾ | | | | | | | | | | | | L | |
|-------------------------|-------|-----------|-----|------|-----------|-------|---------------|-----|------|----------------|---|-------|------|
| # | 50 Hz | | | | | 60 Hz | | | | Version | Weight lbs | inch | |
| | hp | V | rpm | A | hp | V | rpm | A | | | | | |
| 01 | 3.0 | Δ230/Y400 | IE3 | 1440 | 8.2/4.8 | 3.5 | Δ265/Y460 | IE3 | 1735 | 8.2/4.8 | IP55 • ISO F • bimetal | 54.0 | 27.7 |
| | | | | | | | Δ230/Y400 | | 1705 | 9.0/5.2 | | | |
| 02 | | | | | | 3.5 | YY230/Y460 | IE3 | 1765 | 9.3/4.6 | UL(E365362) • CSA CC334B IP55 • ISO F • bimetal | 81.6 | 29.4 |
| | | | | | | | YY208 | | 1755 | 9.7 | | | |
| 03 | 3.0 | Δ200/Y350 | IE3 | 1470 | 10.4/6.0 | 3.5 | Δ220/Y380-400 | IE3 | 1760 | 10.0/5.8–5.8 | UL(E365362) • CSA CC334B IP55 • ISO F • bimetal | 81.6 | 29.4 |
| | | | | | | | Δ200/Y350 | | 1755 | 10.2/5.9 | | | |
| 04 | | | | | | 3.5 | Δ400/Y690 | IE3 | 1760 | 5.3/3.1 | UL(E365362) • CSA CC334B IP55 • ISO F • bimetal | 81.6 | 29.4 |
| | | | | | | | | | | | | | |
| 05 | 4.0 | Δ230/Y400 | IE3 | 1445 | 12.1/7.0 | 4.8 | Δ265/Y460 | IE3 | 1735 | 12.0/6.9 | IP55 • ISO F • bimetal | 63.9 | 28.9 |
| | | | | | | | Δ230/Y400 | | 1705 | 12.7/7.4 | | | |
| 06 | 4.0 | Δ230/Y400 | IE3 | 1460 | 12.3/7.1 | 4.8 | Δ265/Y460 | IE3 | 1755 | 12.0/6.9 | UL(E365362) • CSA CC334B IP55 • ISO F • bimetal | 81.6 | 29.4 |
| | | | | | | | Δ230/Y400 | | 1745 | 12.3/7.1 | | | |
| 07 | | | | | | 4.8 | YY230/Y460 | IE3 | 1755 | 12.7/6.3 | UL(E365362) • CSA CC334B IP55 • ISO F • bimetal | 81.6 | 29.4 |
| | | | | | | | YY208 | | 1735 | 13.5 | | | |
| 08 | 4.0 | Δ200/Y350 | | 1465 | 14.2/8.2 | 4.8 | Δ220/Y380-400 | IE3 | 1755 | 13.5/7.8–7.5 | UL(E365362) • CSA CC334B IP55 • ISO F • bimetal | 81.6 | 29.4 |
| | | | | | | | Δ200/Y350 | | 1745 | 13.8/8.0 | | | |
| 09 | | | | | | 4.8 | Δ400/Y690 | IE3 | 1760 | 7.6/4.4 | UL(E365362) • CSA CC334B IP55 • ISO F • bimetal | 81.6 | 29.4 |
| | | | | | | | | | | | | | |
| 10 | 5.4 | Δ230/Y400 | IE3 | 1445 | 15.5/8.9 | 6.4 | Δ265/Y460 | | 1745 | 14.9/8.6 | IP55 • ISO F • bimetal | 75.0 | 28.6 |
| | | | | | | | Δ230/Y400 | | 1720 | 15.9/9.2 | | | |
| 11 | 5.4 | Δ200/Y400 | IE3 | 1465 | 18.0/9.0 | 6.0 | YY230/Y460 | IE3 | 1759 | 18.4/9.2 | UL(E235514) • CSA CC329B IP55 • ISO F • bimetal | 88.2 | 29.9 |
| | | | | | | | YY208 | IE3 | 1753 | 18.7 | | | |
| 12 | 5.4 | Δ200/Y350 | IE3 | 1467 | 20.3/11.7 | 6.0 | Δ220/Y380-400 | IE3 | 1760 | 18.5/10.7–10.2 | UL(E235514) • CSA CC329B IP55 • ISO F • bimetal | 88.2 | 29.9 |
| | | | | | | | Δ200/Y350 | | 1753 | 19.0/11.0 | | | |
| 13 | | | | | | 6.0 | Δ400/Y690 | IE3 | 1763 | 9.8/5.65 | UL(E235514) • CSA CC329B IP55 • ISO F • bimetal | 88.2 | 29.9 |
| | | | | | | | | | | | | | |
| 14 | | | | | | 6.4 | Δ400/Y690 | IE3 | 1775 | 10.75/6.2 | UL(E365362) • CSA IP55 • ISO F • bimetal | 142.2 | 34.0 |
| | | | | | | | | | | | | | |
| 15 | | | | | | 7.5 | YY230/Y460 | IE3 | 1800 | 18.9/9.45 | UL • CSA • NEMA • ISO F | 180.0 | 32.0 |
| | | | | | | | YY208 | | 1750 | 20.9 | | | |

• Current consumption and rotation speed may vary. Tolerance in each case -1.5/+2%



Reference data (atmosphere): 0 PSIG, 68°F; Tolerance: ±5%

+ VARIANTS AND ACCESSORIES

- **KDT 3.80/0-52** for short-time operation with +2.0 bar¹⁾
- **VARIAIR KDT 3.80/0-400** with frequency inverter¹⁾
- Increased corrosion protection
- External suction filter¹⁾
- Sound proof box SH 13¹⁾



VARIAIR KDT 3.80/0-400



Example for an external suction filter



Sound proof box SH 13



MAKE IT BECKER.