

MS100C - MS300C

# HOOK & CLAW MAPLE VACUUM SYSTEM

MAKE IT BECKER.

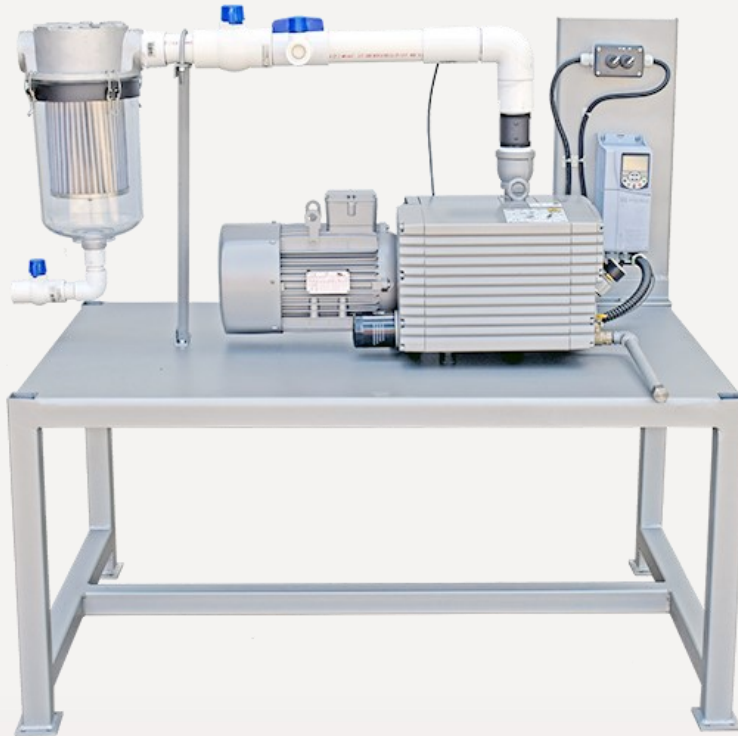


figure MS71L system

MODEL	HP	END VACUUM ("Hg)	OPEN FLOW (SCFM)	NUMBER OF <sup>1</sup> TAPS	INLET SIZE (IN)	SOUND <sup>2</sup> dB(A)	BTU/HR (Max Vac)
MS100C	4	28	70	3,500-7,000	2.0	71	10,236
MS150C	5.4	26.6	106	5,300-10,600	2.0	71	13,650
MS300C	10	25	193	9,650-19,300	2.0	72	22,860

(1) Recommendation ONLY, true number depends on terrain and setup.

(2) Per Pump dB(A) – According to DIN EN ISO 3744 (KpA = 3db(A)), 39.4 inch distance, at medium load, both connection sides piped

(3) All values listed are at 60Hz

(4) Reference data (atmosphere) 0"HgV,68°F; Tolerance:±5%

# MAPLE SYSTEM FEATURES

## BECKER MAPLE VACUUM SYSTEM

Pneumatic vacuum system designed for efficient maple sugar extraction. Features one Becker brand vacuum pump, with integrated filtration and frequency control. Accepts single phase or three phase input power. Pump and control components mounted to mobile stand. All systems are tested for leaks and functionality before shipping.

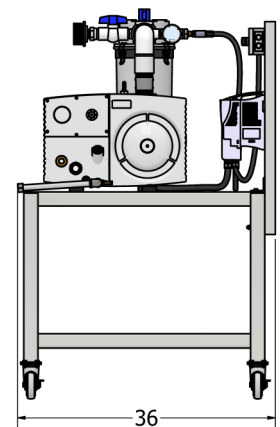
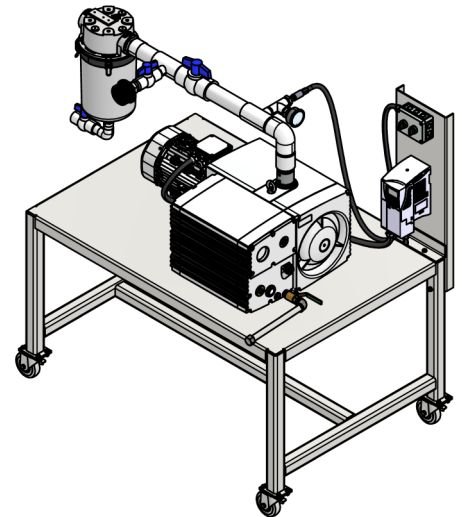
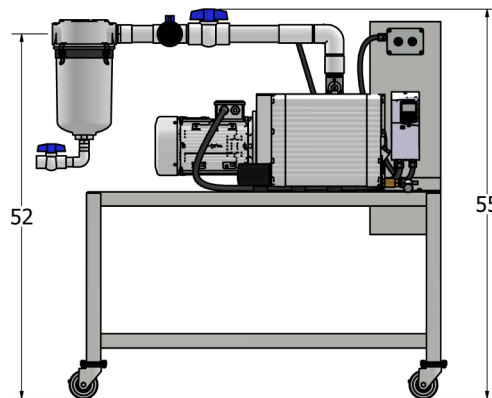
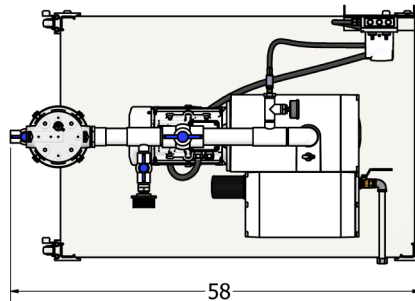
The Maple system includes:

- One Becker Hook & Claw vacuum pump
- Single phase to three phase power converting
- Variable Frequency Drive
- Clear filtration canister

## VACUUM PUMPS

All pumps used on our systems are Becker Manufactured and individually tested at factory before shipping. Becker hook and claw vacuum pumps feature an oil-less/touch-less working chamber. Additional specifications are:

- End vacuum of 25-28"Hg (Model Dependent)
- Integrated 2-micron paper inlet filter
- Vacuum relief valve and anti-return valve
- Integrated exhaust silencer box
- Gear Oil sight glass for visual inspection
- Liquid filled vacuum gauges installed at the pump
- Low maintenance requirements
- Single shaft direct drive through coupling
- IE3/NEMA PREMIUM efficiency motors
- TEFC Motors



## PLUMBING

The vacuum pump is plumbed to a clear canister filter, with manual drain, to protect the pump against liquid ingestion. A check valve is installed to prevent backflow and a ball valve is installed for pump isolation.

## CONTROLS

The Becker Maple vacuum system utilizes a Variable Frequency Drive (VFD) and a vacuum transducer for two control options.

1. Manual Control
  - \* Allows for control based on user set frequency (30-60Hz)
2. Automatic Control
  - \* Controls system based on feedback from vacuum transducer to maintain a constant vacuum level

Dimensions in inches.  
Approximate dimensions; actual  
dimensions may vary.  
All dimensions are subject to change.