

DATA SHEET

U 4.630

ROTARY VANE VACUUM PUMPS

oil-lubricated
air-cooled

MAKE IT BECKER.

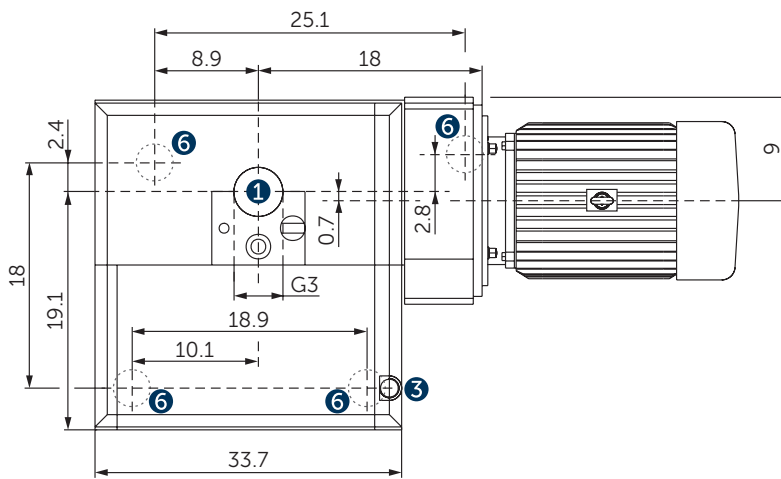
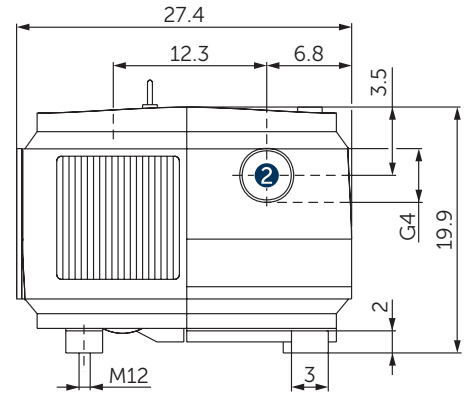
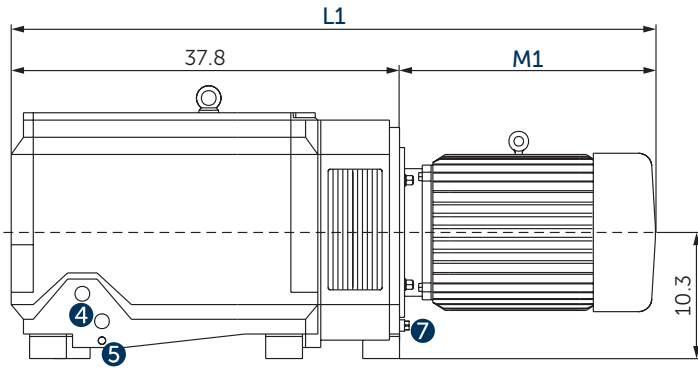
ROBUST

DURABLE



**DESIGNED FOR
CONTINUOUS OPERATION**



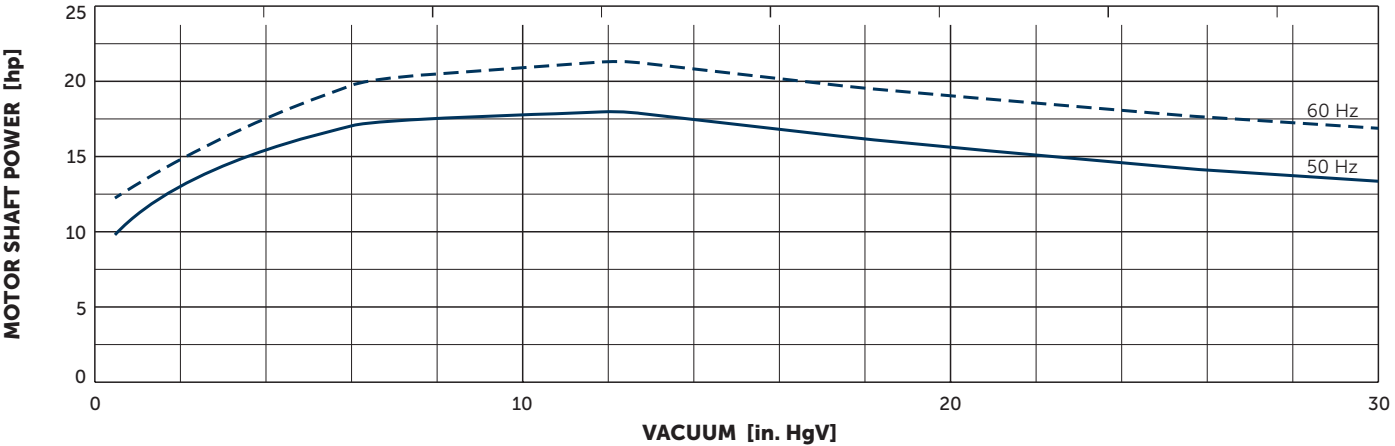
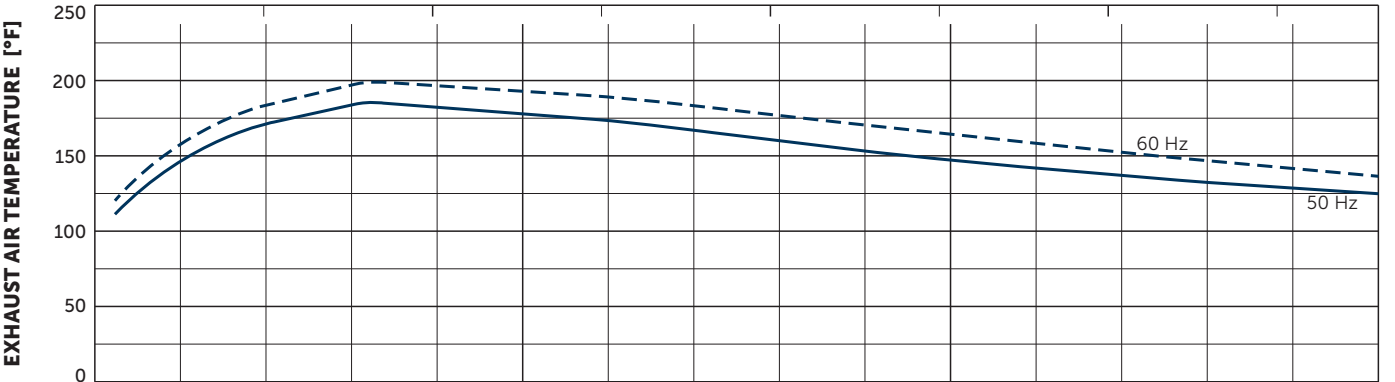
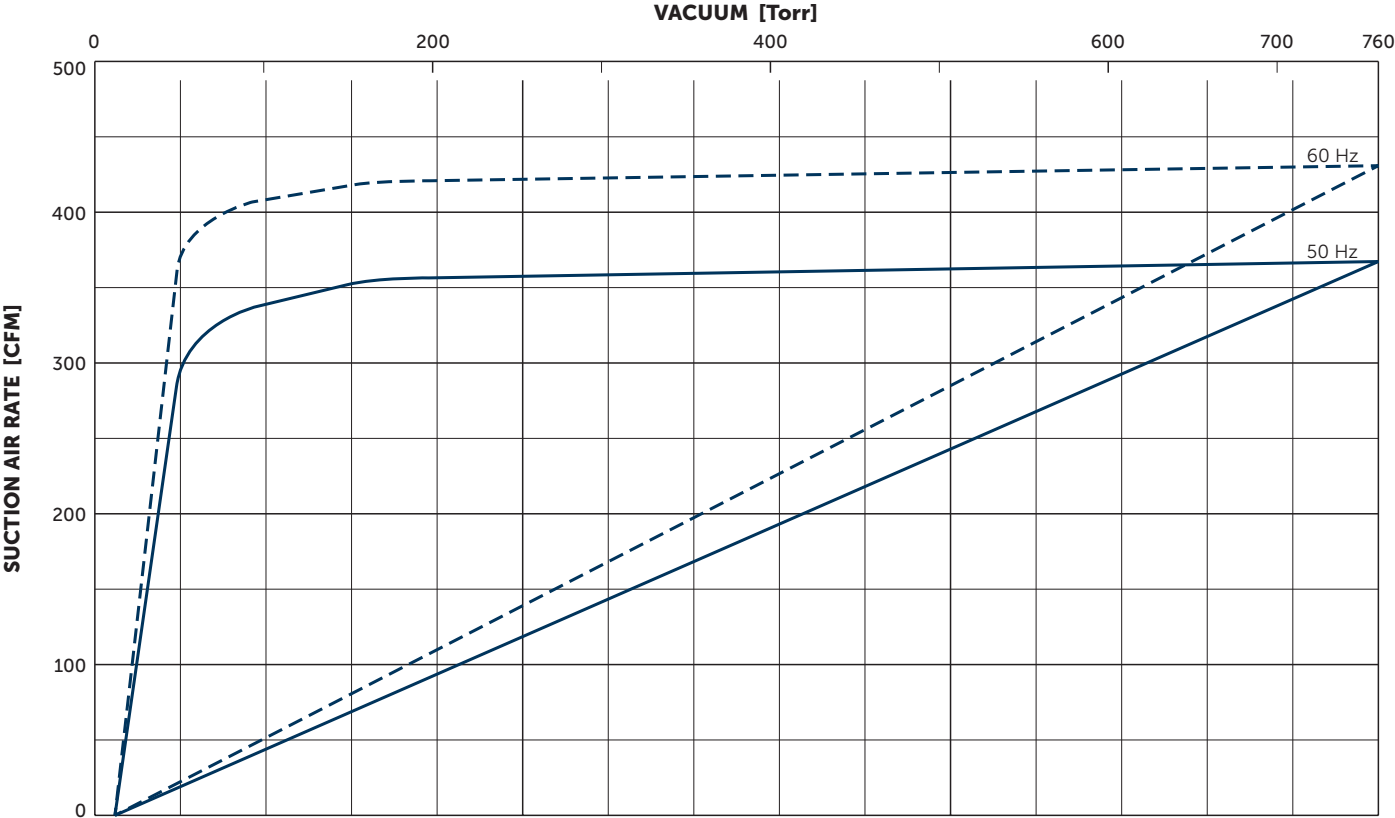


- 1 Vacuum connection (G3)
- 2 Exhaust air connection (G4)
- 3 Oil filler cap
- 4 Oil sight glass
- 5 Screw plug for oil drain
- 6 Rubber buffer position
- 7 PT100
- L Overall device length **L1** with motor.
L1 and **M1** are variable, see separate motor specification sheet.
 - incl. non-return valve and oil separator
 - The motor illustration may vary
 - Dimensions in inch

	Nominal capacity		Vacuum		Installed motor power		Emission sound pressure level ¹⁾		Weight w/o motor	Oil ²⁾
	CFM		Torr		hp		dB(A)		lbs	U.S. gal.
	50 Hz	60 Hz	50 Hz	60 Hz	50 Hz	60 Hz	50 Hz	60 Hz		
U 4.630 SA/K	366	430	2.25	2.25	20.1	24.1	80	83	816	3.7
U 4.630 F/K	366	430	0.375	0.375	20.1	24.1	80	83	816	3.7

¹⁾ DIN EN ISO 3744 (KpA = 3 dB(A)), interval of 39.4 inch, at medium load, both connection sides piped

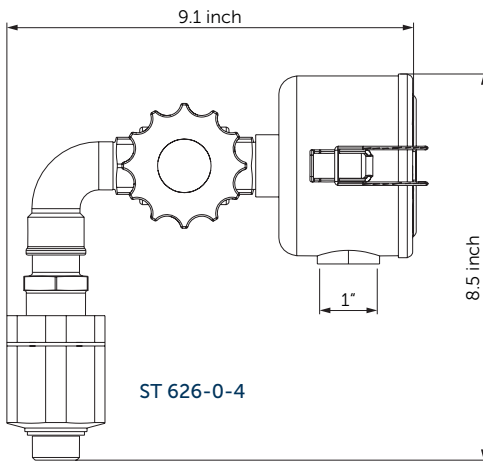
²⁾ Becker Synthetic Oil, Becker Premium Synthetic Oil (PAO) and Becker Food Grade Vacuum Pump Oil
 ▪ Reference data (atmosphere): 0 In. HgV / 760 Torr, 68°F; Tolerance: ±5%



Suction air rate refers to the intake pressure
Reference data (atmosphere): 0 In. HgV / 760 Torr, 68°F; Tolerance: ±5%

+ ACCESSORIES

- Gas ballast valve ST 626-0-4 (no. 76870499626)
- Temperature trigger unit for monitoring the pump temperature with the use of the integrated temperature sensor PT100¹⁾
- Temperature monitor TW for monitoring the oil temperature¹⁾
- Oil level switch ST 682-0-2 for monitoring the oil level¹⁾
- Oil bath heating and thermostat
- Maintenance indicator ST 691-0-1 for oil separating elements (no. 91680099691)
- Oil-to-water heat exchanger
- External suction filter, e.g. FV 540¹⁾
- Oil: Becker Lube M100 mineral, S100 synthetic and SL100 food



Temperature trigger unit



Temperature monitor TW



Oil level switch ST 682-0-2



Maintenance indicator ST 691-0-1



Example for an external suction filter

¹⁾ See separate data sheet

- Combination options on request

MAKE IT BECKER.

HOMEPAGE
U SERIES



DOWNLOAD
MOTOR SPECS.



ONLINE SHOP



www.beckerpumps.com
www.becker-international.com

