

DATA SHEET

VARIAIR BCV 100

CLAW VACUUM PUMPS

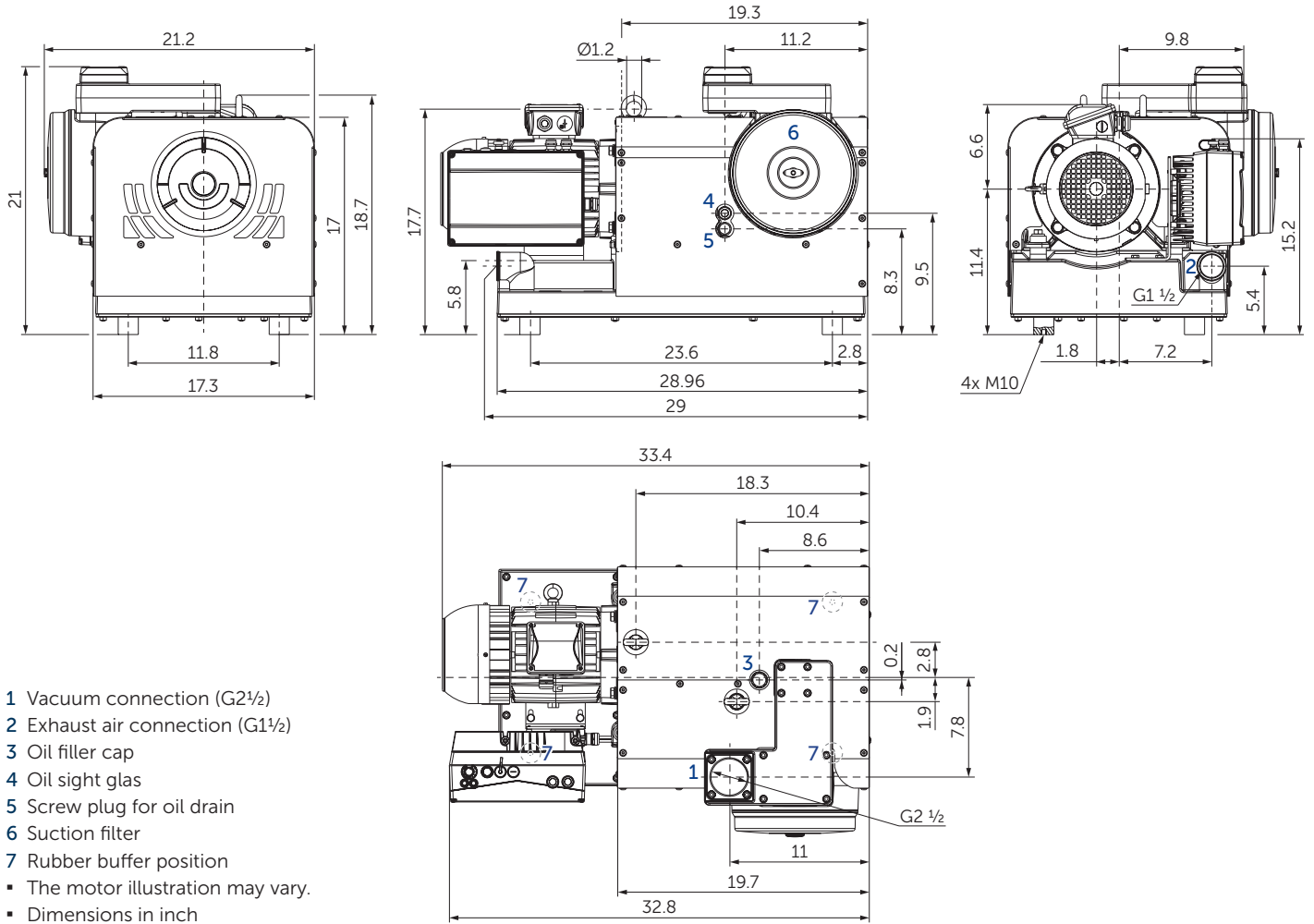
dry and contact free compression
air-cooled, frequency inverter

MAKE IT BECKER.



VARIAIR
UNIT

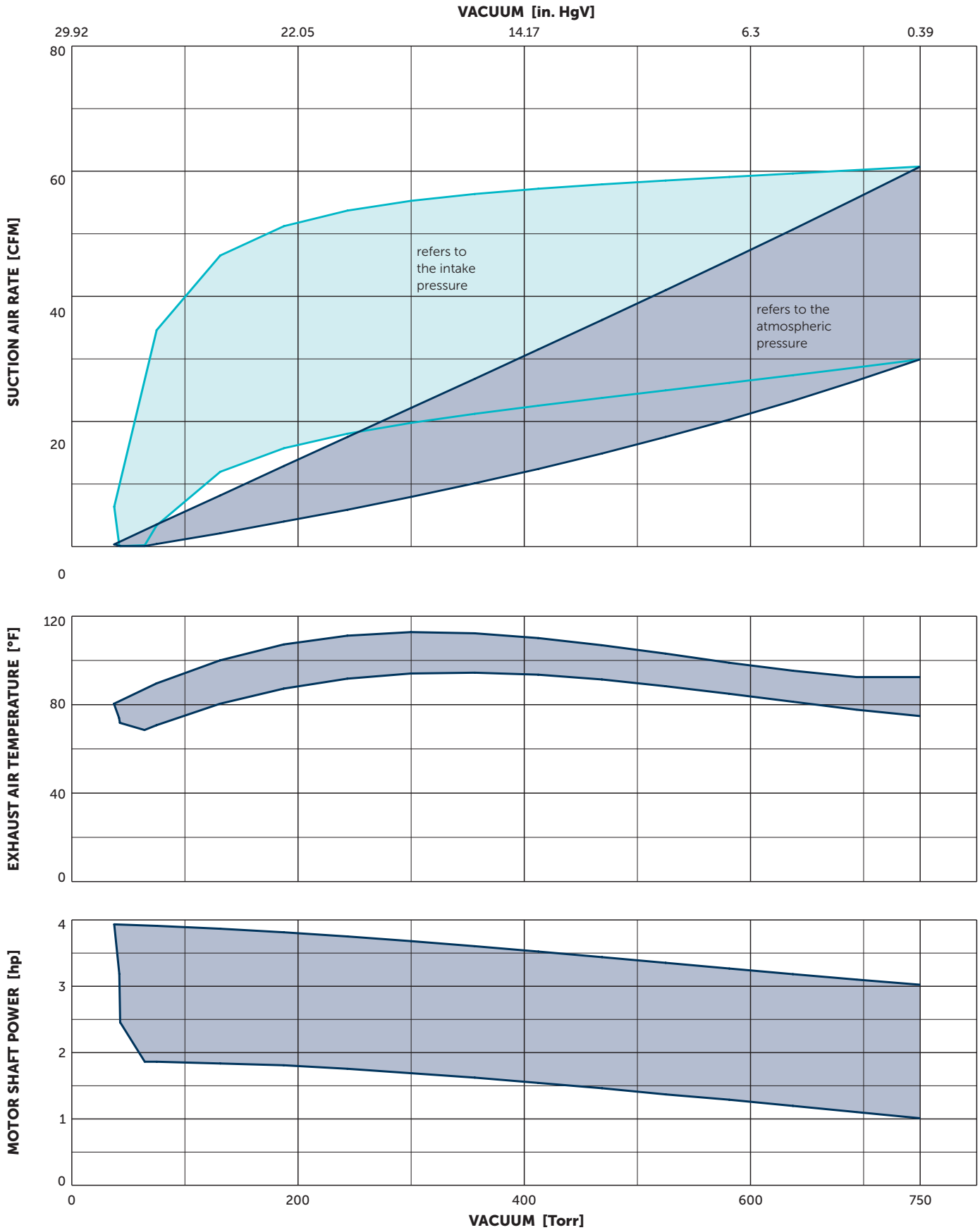
 **BECKER**



- 1 Vacuum connection (G2½)
- 2 Exhaust air connection (G1½)
- 3 Oil filler cap
- 4 Oil sight glass
- 5 Screw plug for oil drain
- 6 Suction filter
- 7 Rubber buffer position
- The motor illustration may vary.
- Dimensions in inch

Nominal capacity	Vacuum		Frequency	Emission sound pressure level ¹⁾	Weight		
	CFM max.	Torr max.					
70.6	37.5	28.1	30–60	70 @ 300 Torr (40 Hz)	392.5	Frequency inverter VAU4/4 5.4 hp 400–480 V ±10% 50/60 Hz	6 A max.

¹⁾ According to DIN EN ISO 11203, accuracy class of measurement: class 2, extended measurement uncertainty: 3 dB
39.4 inch distance, at medium load, both connection sides piped



Reference data (atmosphere): 750 Torr, 68°F, measurements with integrated filter
 Tolerance: ±10%



MAKE IT BECKER.