

DATA SHEET

VARIAIR BCV 150

CLAW VACUUM PUMPS

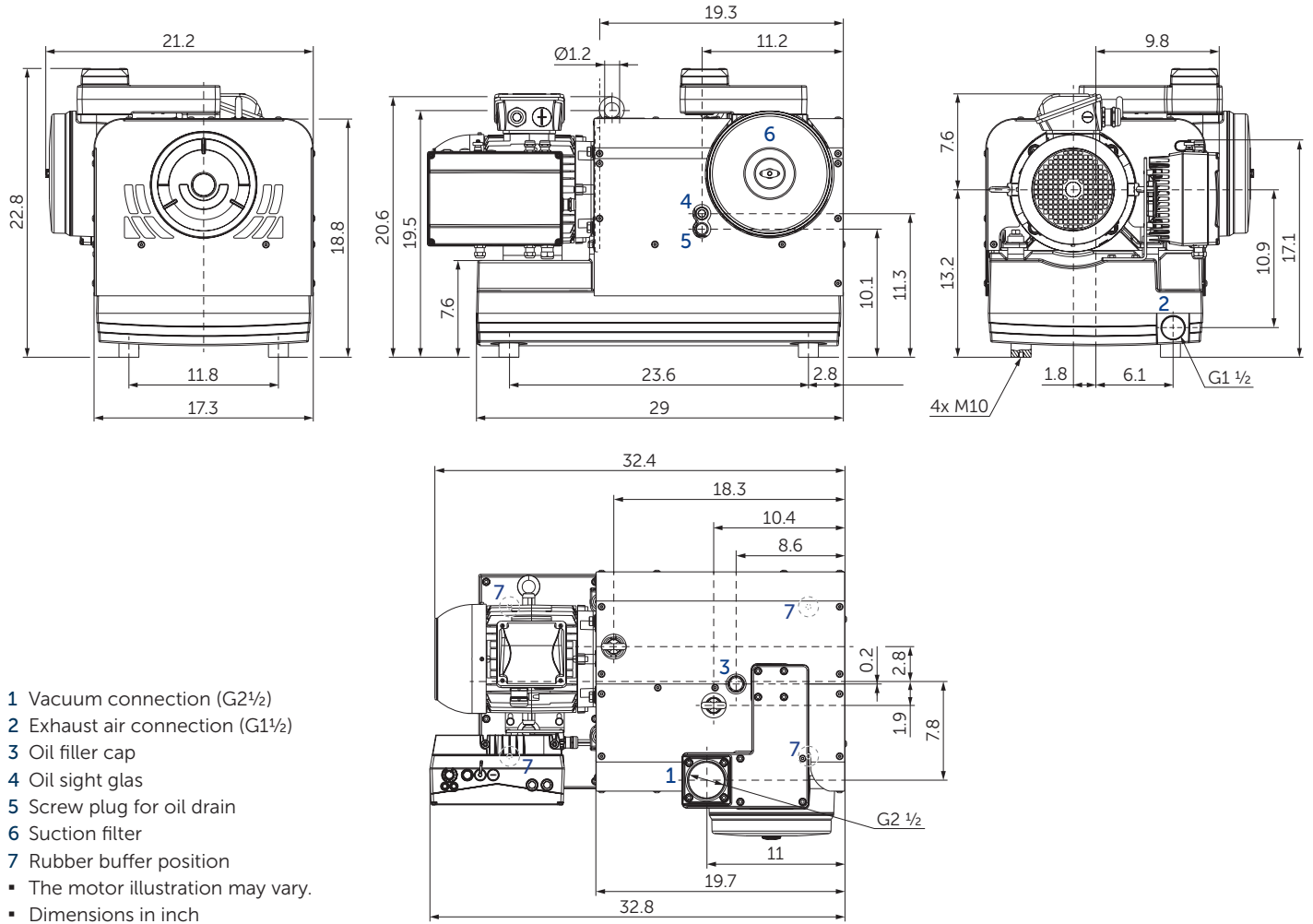
dry and contact free compression
air-cooled, frequency inverter



MAKE IT BECKER.



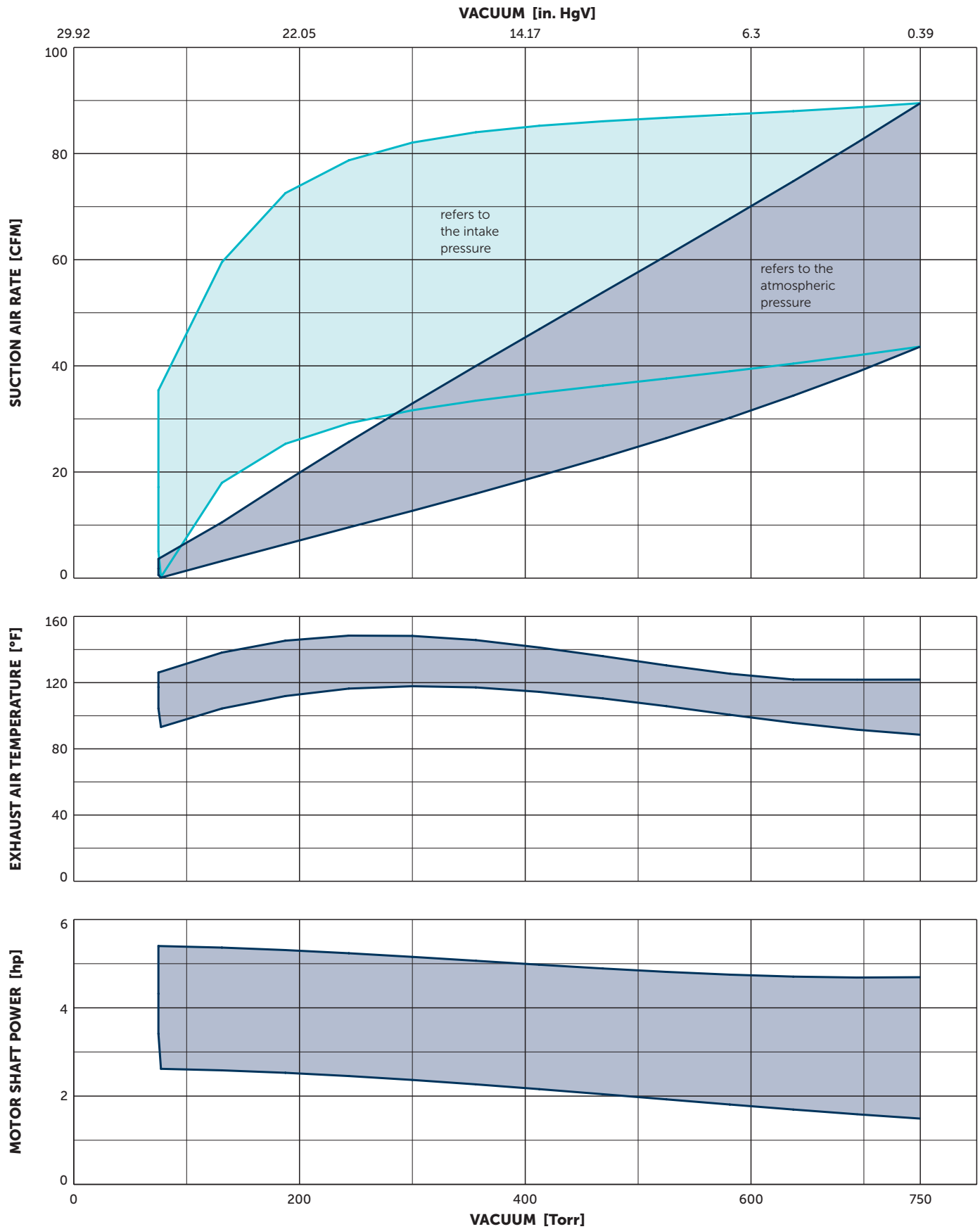
VARIAIR
UNIT

 **BECKER**



Nominal capacity	Vacuum		Frequency	Emission sound pressure level ¹⁾	Weight	 Frequency inverter VAU4/4	 A max.
	CFM max.	Torr max.					
105.8	75	26.6	30–60	71	458.6	5.4 hp 400–480 V ±10% 50/60 Hz	10

¹⁾ According to DIN EN ISO 11203, accuracy class of measurement: class 2, extended measurement uncertainty: 3 dB 39.4 inch distance, at medium load, both connection sides piped



Reference data (atmosphere): 750 Torr, 68°F, measurements with integrated filter
 Tolerance: ±10%

MAKE IT BECKER.

