

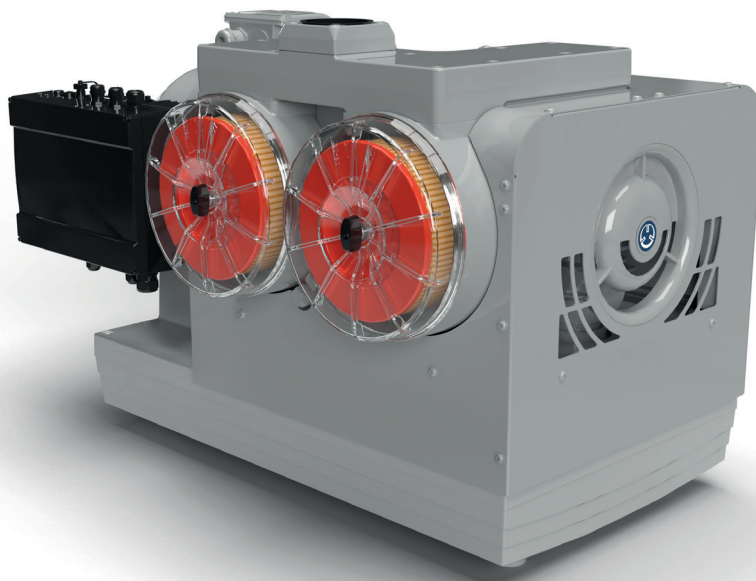
DATA SHEET

VARIAIR BCV 300

CLAW VACUUM PUMPS

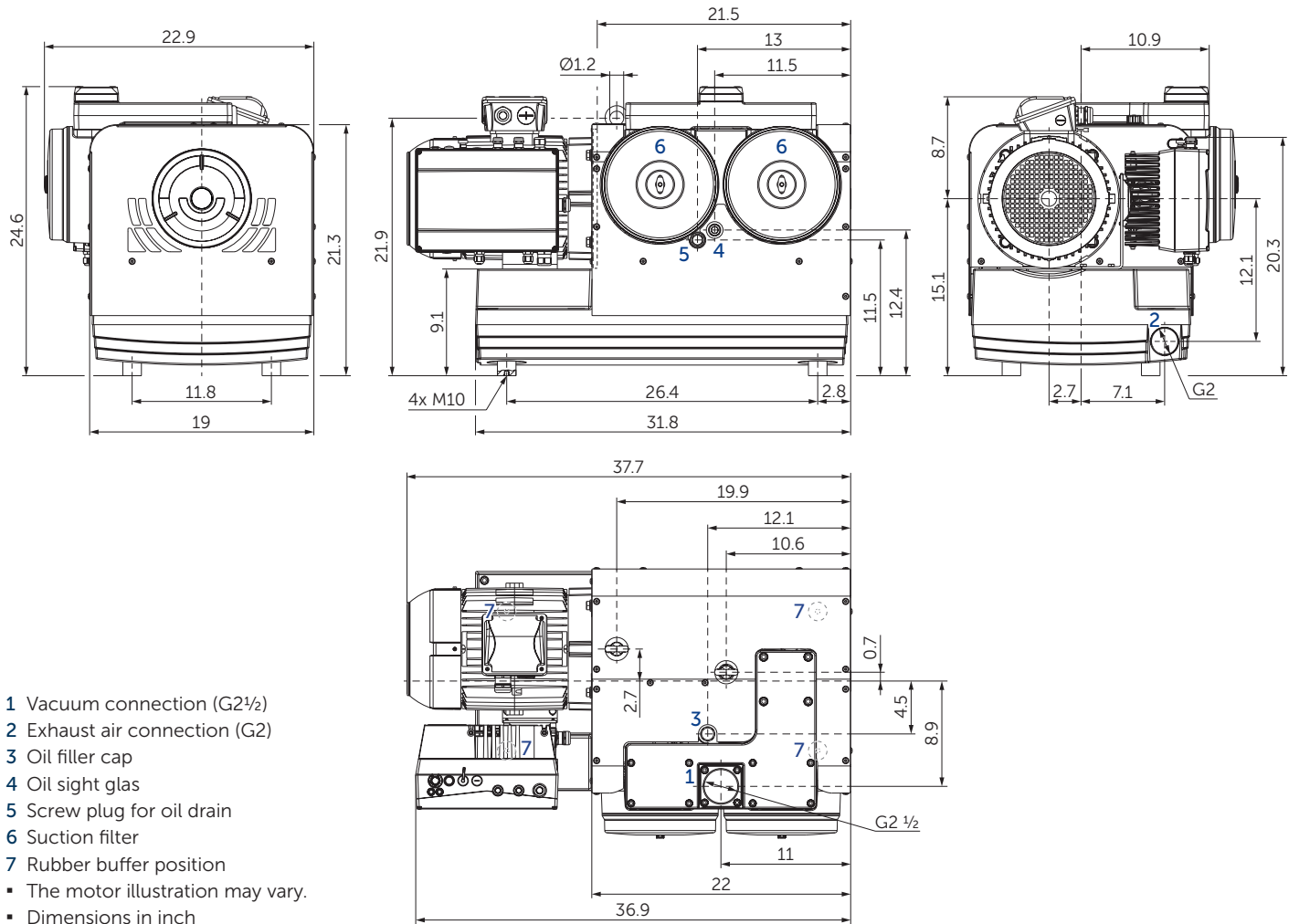
dry and contact free compression
air-cooled, frequency inverter

MAKE IT BECKER.





VARIAIR
UNIT

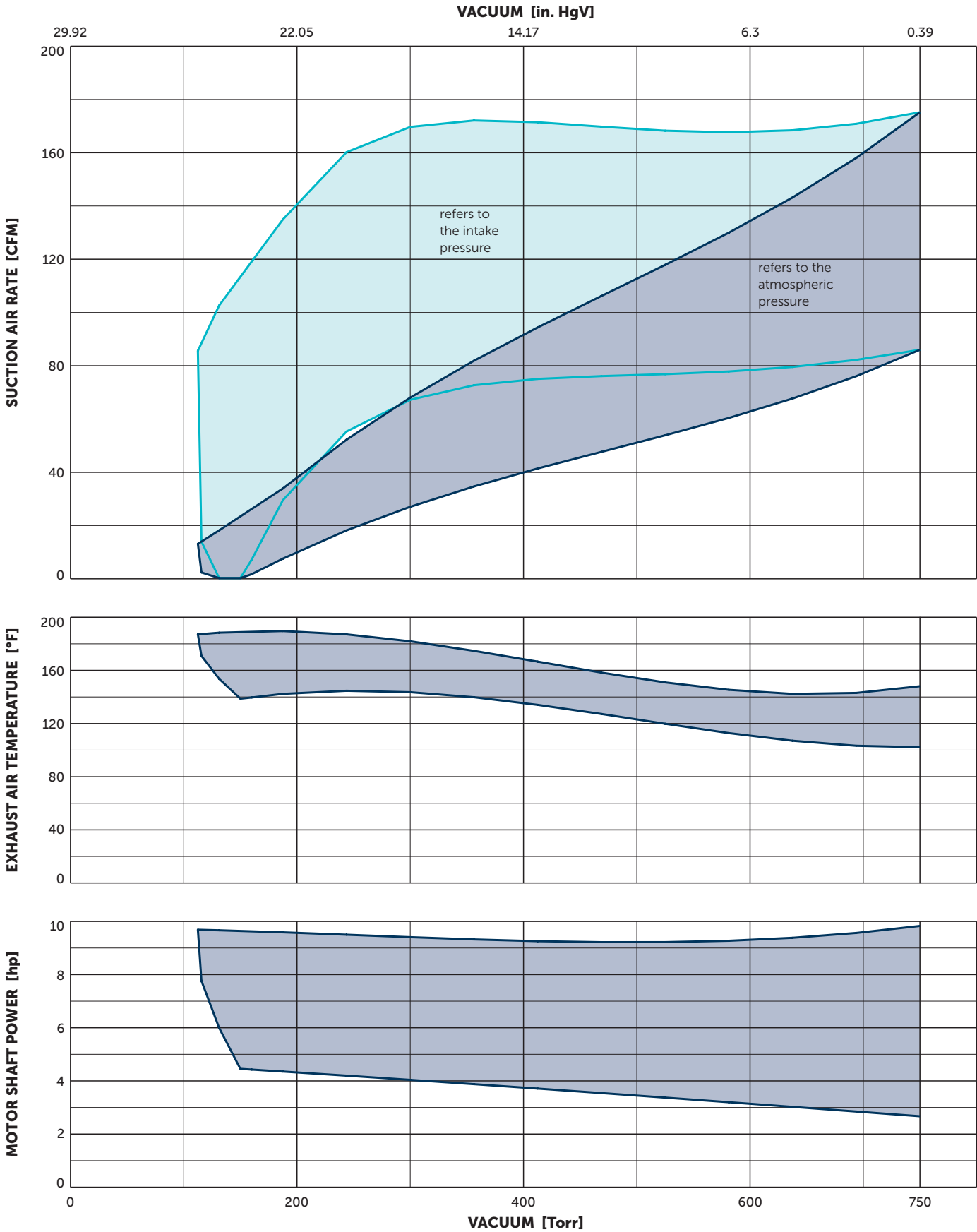
 **BECKER**



- 1 Vacuum connection (G2½)
- 2 Exhaust air connection (G2)
- 3 Oil filler cap
- 4 Oil sight glas
- 5 Screw plug for oil drain
- 6 Suction filter
- 7 Rubber buffer position
- The motor illustration may vary.
- Dimensions in inch

Nominal capacity	Vacuum		Frequency	Emission sound pressure level ¹⁾	Weight	 Frequency inverter VAU7.5/3	 A max.
	CFM max.	Torr max.					
191.1	112.5	25.1	30–60	74	749.7	14.8–29.5 hp 400–480 V ±10% 50/60 Hz	16

¹⁾ According to DIN EN ISO 11203, accuracy class of measurement: class 2, extended measurement uncertainty: 3 dB
39.4 inch distance, at medium load, both connection sides piped



Reference data (atmosphere): 750 Torr, 68°F, measurements with integrated filter
Tolerance: ±10%

MAKE IT BECKER.

