

DATA SHEET

# VARIAIR SV 130/1

## SIDE CHANNEL BLOWERS

single stage, air-cooled  
frequency inverter

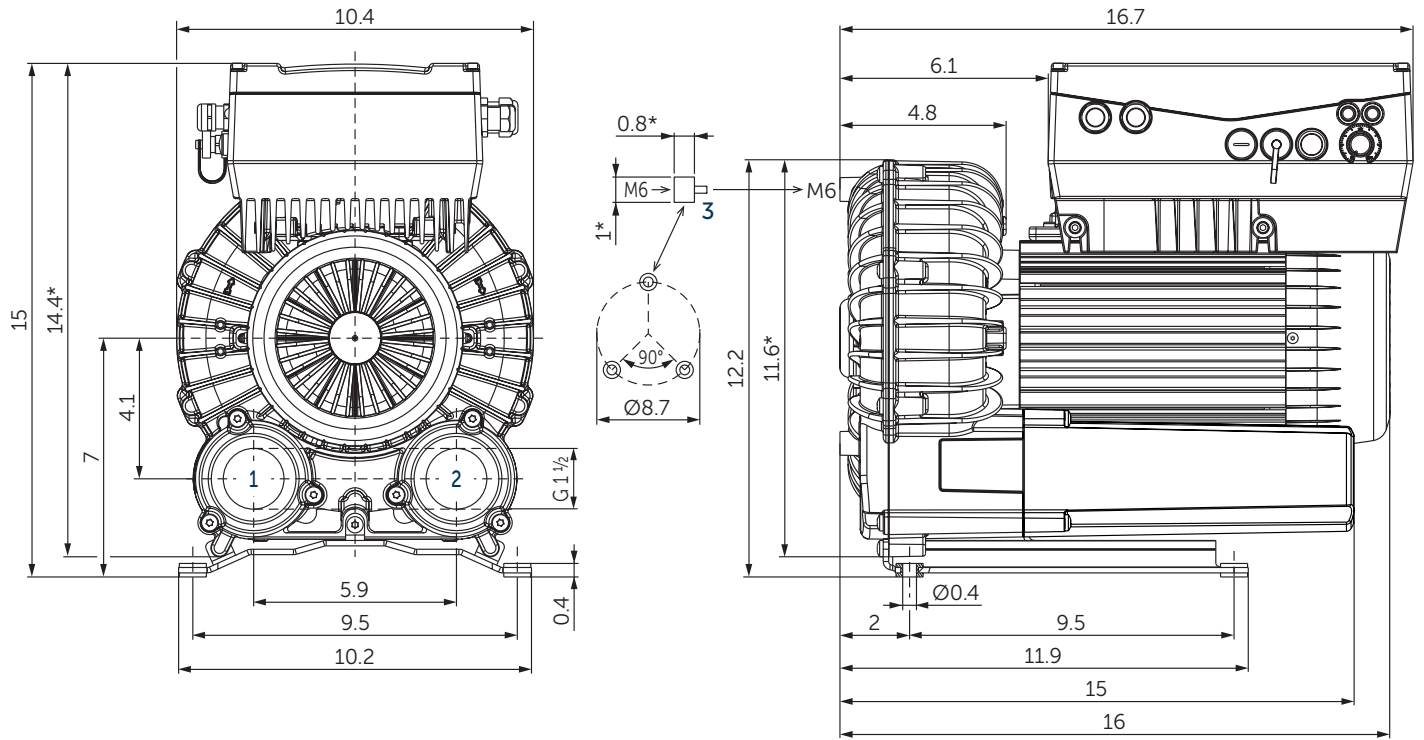
---

**MAKE IT BECKER.**



**VARIAIR**  
UNIT

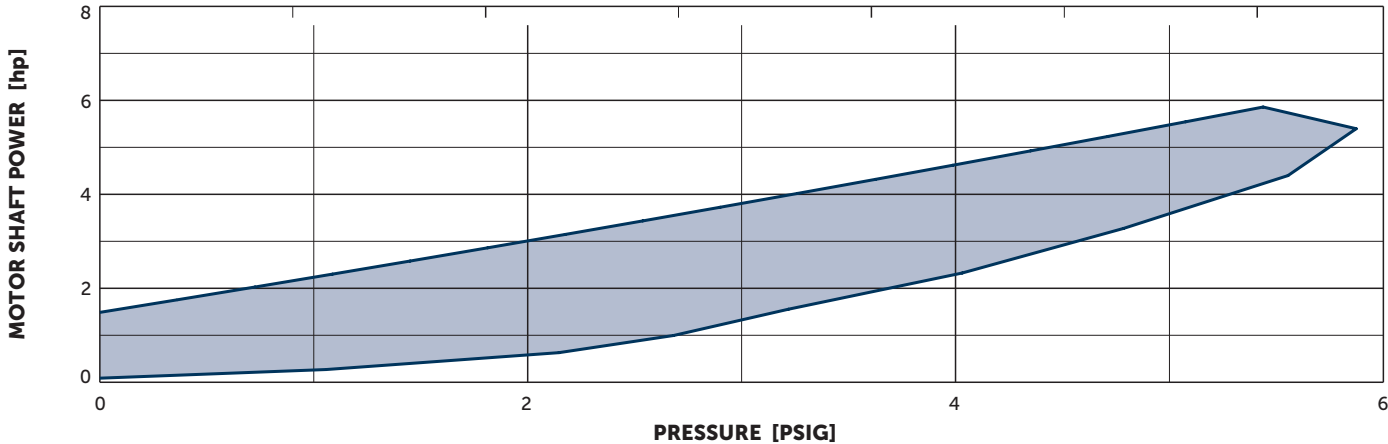
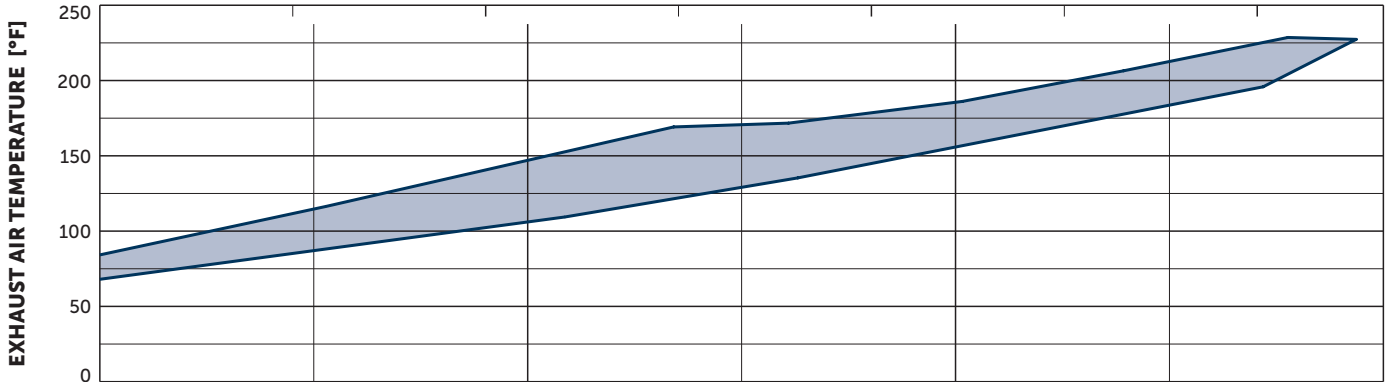
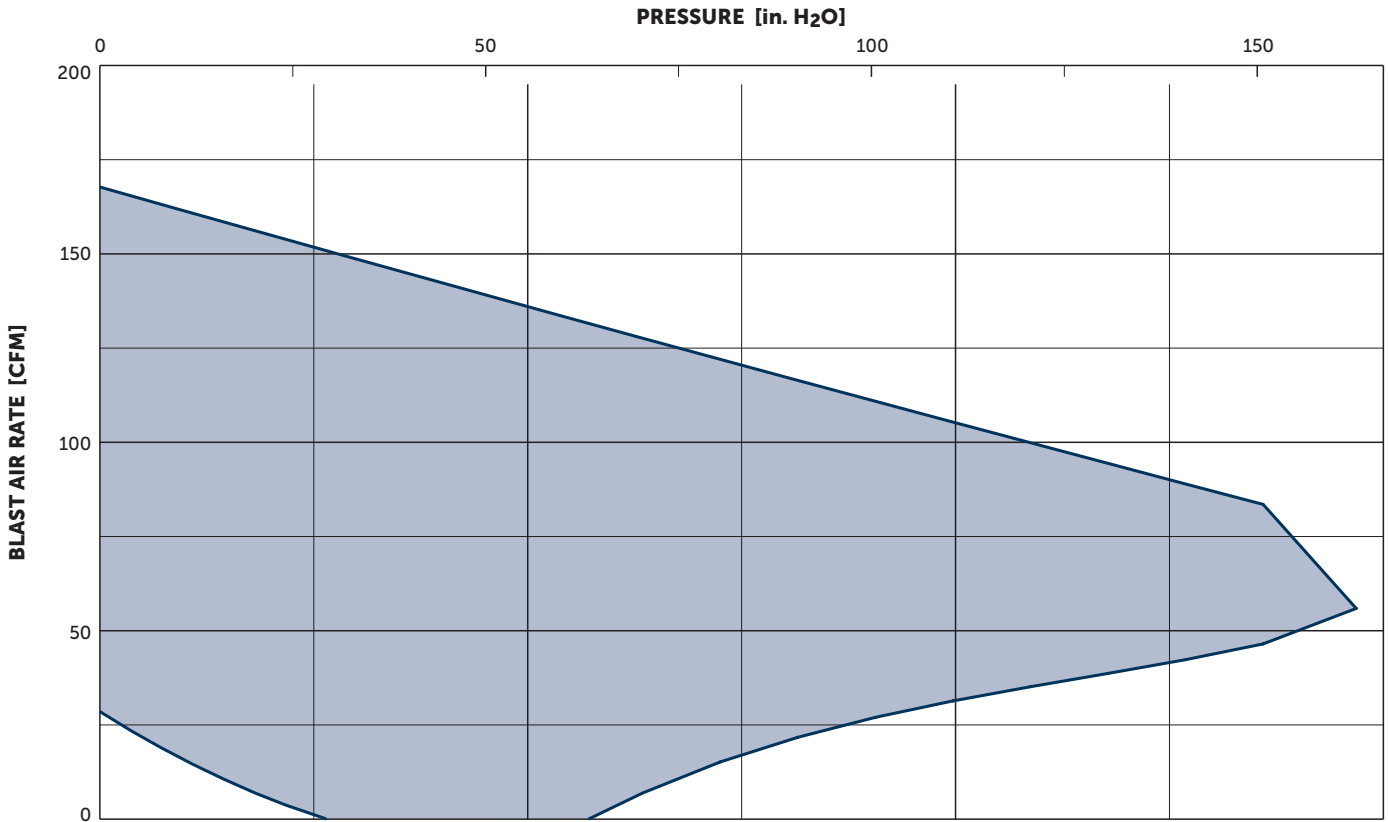
 **BECKER**



- 1 Vacuum connection (G $\frac{1}{2}$ )
- 2 Pressure connection (G $\frac{1}{2}$ )
- 3 Rubber buffer position (optional)
- \* Device dimensions without pedestal (optional) under the silencer
- Dimensions in inch

Blast air rate	Pressure		Frequency	Emission sound pressure level <sup>1)</sup>	Weight			
	CFM	in. H <sub>2</sub> O						PSIG
max.	max.	max.		@ 104.5 in. H <sub>2</sub> O (67 Hz)				
168	162.8	5.9	20–100	70	66.2	5.4 hp 400–480 V $\pm$ 10% 50/60 Hz	16	

<sup>1)</sup> According to DIN EN ISO 11203, accuracy class of measurement: class 2, extended measurement uncertainty: 3 dB  
39.4 inch distance, at medium load, both connection sides piped



Reference data (atmosphere): 0 in. HgV, 68°F; Tolerance: ±10%; Max. ambient temperature: 14°F ... 104°F



**MAKE IT BECKER.**