

DATA SHEET

VARIAIR SV 300/1 SIDE CHANNEL BLOWERS

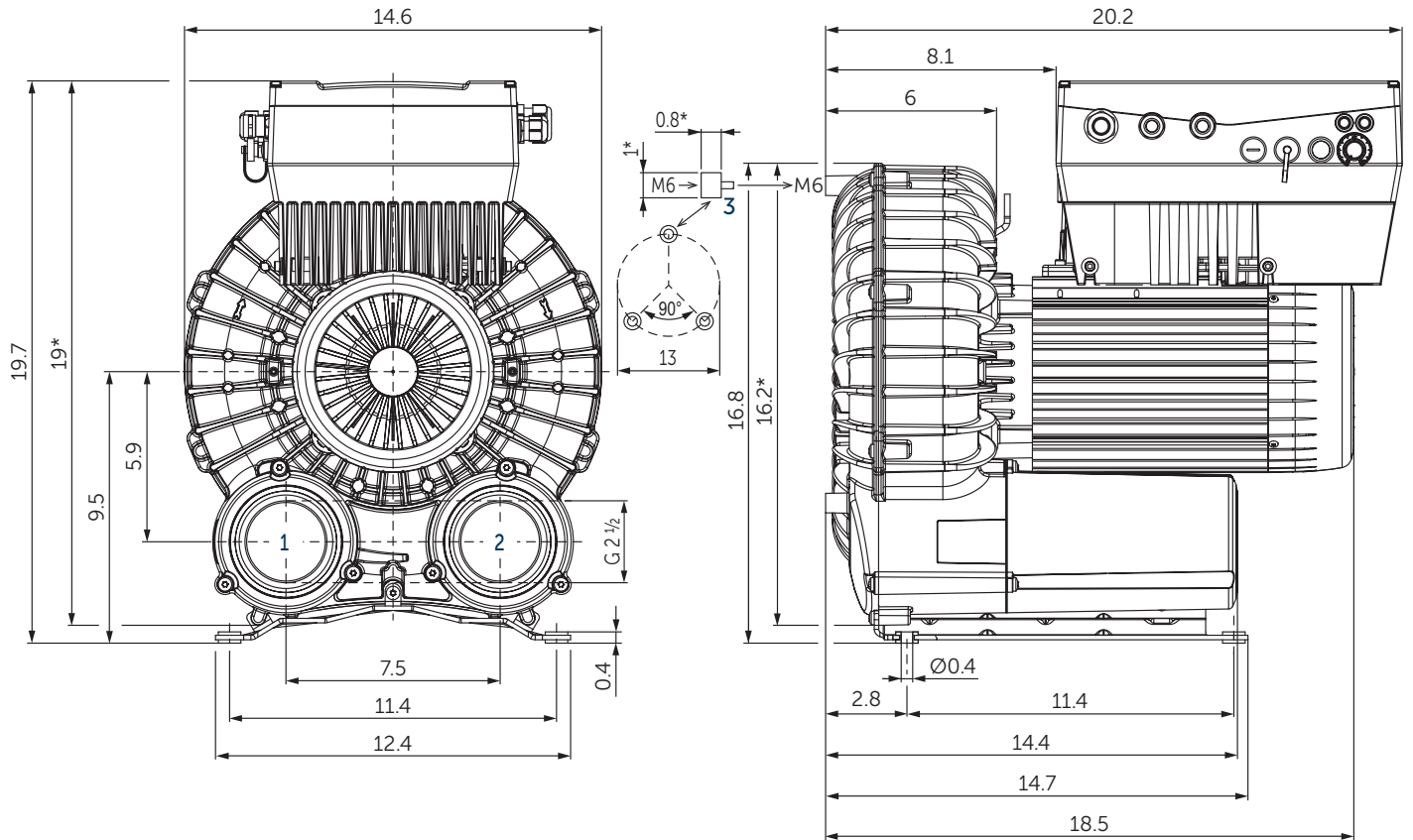
single stage, air-cooled
frequency inverter

MAKE IT BECKER.



VARIAIR
UNIT

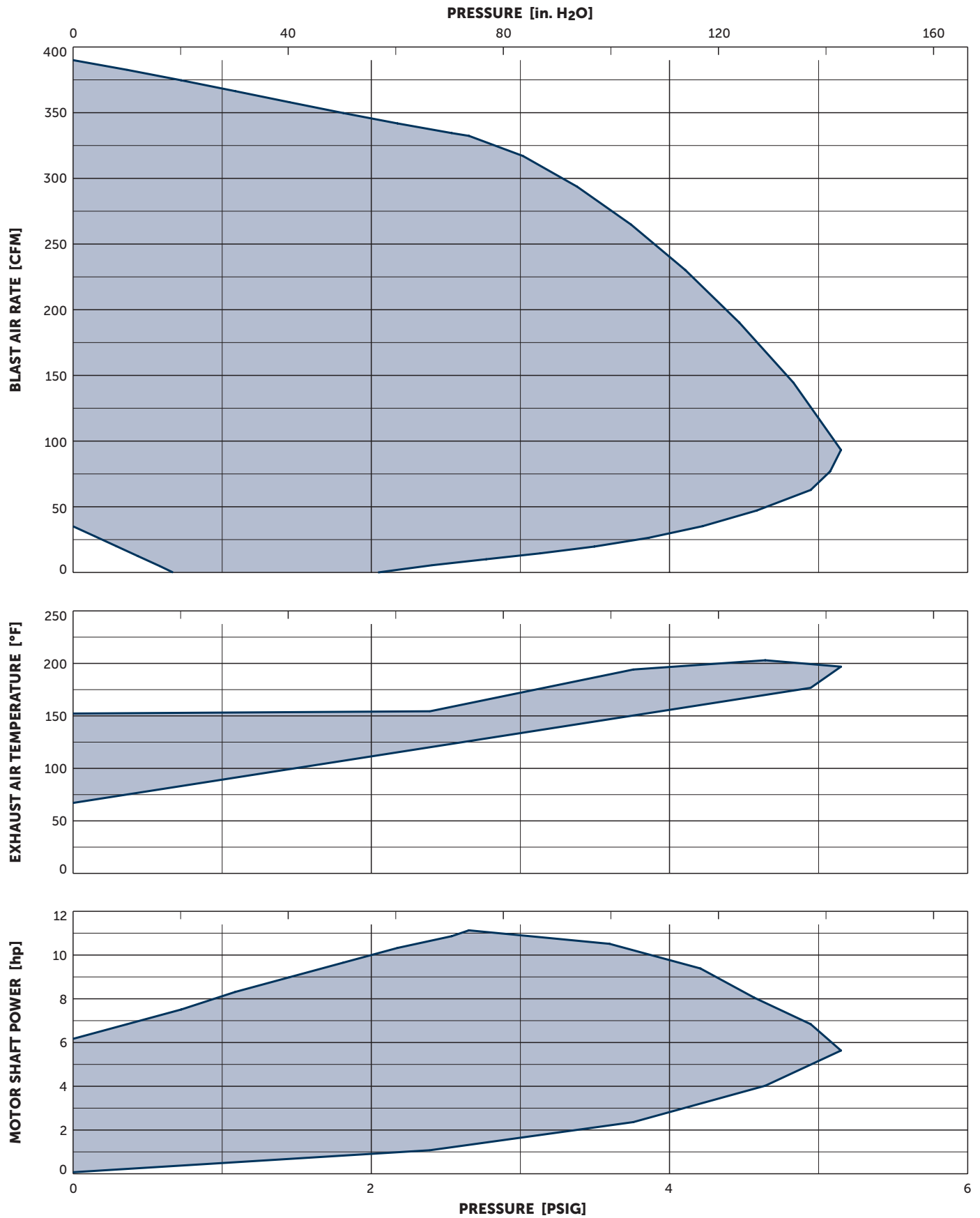
 **BECKER**



- 1 Vacuum connection (G2½)
- 2 Pressure connection (G2½)
- 3 Rubber buffer position (optional)
- * Device dimensions without pedestal (optional) under the silencer
- Dimensions in inch

Blast air rate	Pressure		Frequency	Emission sound pressure level ¹⁾	Weight			
	CFM	in. H ₂ O						PSIG
max.	max.	max.		@ 92.4 in. H ₂ O (67 Hz)				
376	142.7	5.1	10–100	75.0	109.5	10.1 hp 400–480 V ±10% 50/60 Hz	20	

¹⁾ According to DIN EN ISO 11203, accuracy class of measurement: class 2, extended measurement uncertainty: 3 dB
39.4 inch distance, at medium load, both connection sides piped



Reference data (atmosphere): 0 in. HgV, 68°F; Tolerance: ±10%; Max. ambient temperature: 14°F ... 104°F



MAKE IT BECKER.

