

DATA SHEET

VARIAIR U 5.201

ROTARY VANE- VACUUM PUMPS

oil-lubricated
air-cooled

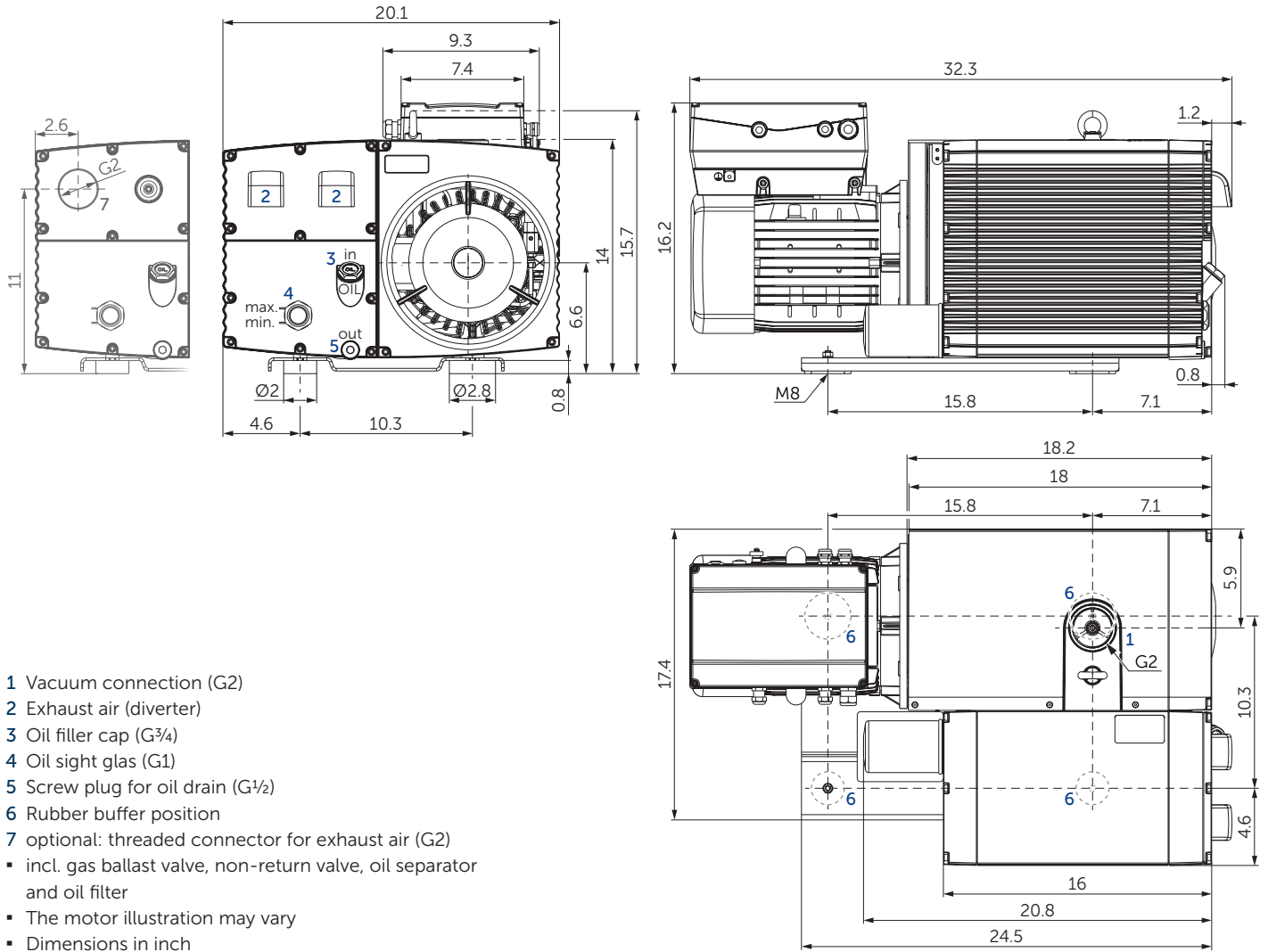
MAKE IT BECKER.



figure VARIAIR U 5.101

VARIAIR
UNIT

 **BECKER**

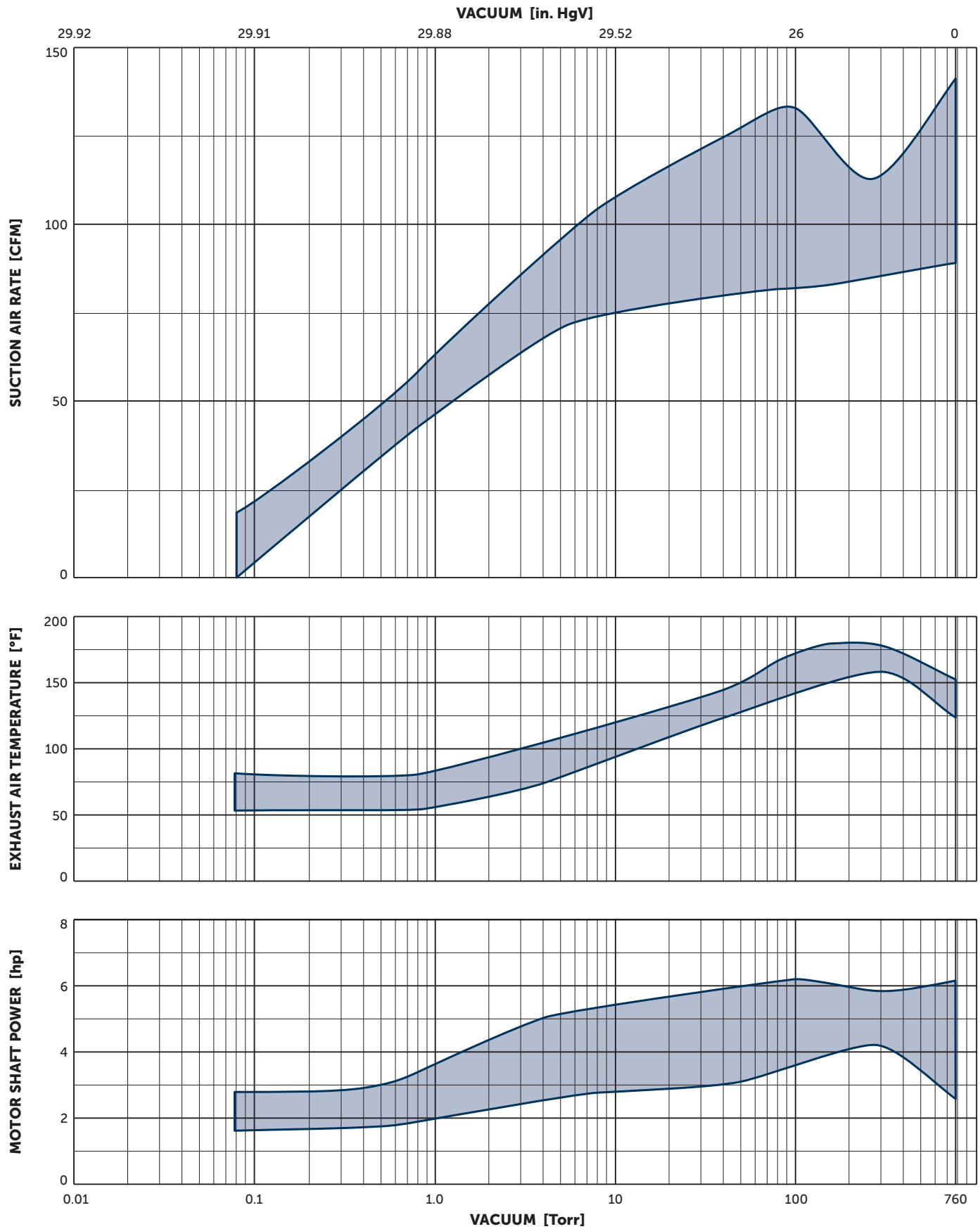


- 1 Vacuum connection (G2)
- 2 Exhaust air (diverter)
- 3 Oil filler cap (G^{3/4})
- 4 Oil sight glas (G1)
- 5 Screw plug for oil drain (G^{1/2})
- 6 Rubber buffer position
- 7 optional: threaded connector for exhaust air (G2)
 - incl. gas ballast valve, non-return valve, oil separator and oil filter
 - The motor illustration may vary
 - Dimensions in inch

Nominal capacity	Vacuum absolute for continous operation	Frequency	Emission sound pressure level ¹⁾		Weight	Oil ²⁾		
			50 Hz	60 Hz				
CFM max.	Torr max.	Hz	dB(A)		lbs	U.S. gal.	Frequency inverter VAU4/4	A max.
141	0.075	40–65	72	74	235.9	1.32	5.4 hp 400–480 V ±10% 50/60 Hz	16

¹⁾ According to DIN EN ISO 11203, accuracy class of measurement: class 2, extended measurement uncertainty: 3 dB 39.4 inch distance, at medium load, both connection sides piped

²⁾ Becker Lube: Synthetic Oil • Premium Synthetic Oil (PAO) • Food Grade Vacuum Pump Oil
 ▪ Gas ballast valve: vacuum 0.75 Torr absolute with opened gas ballast valve; water vapour tolerance max. 5.25 Torr; water vapour capacity max. 0.079 U.S.gal./h (at 185°F operating temperature)



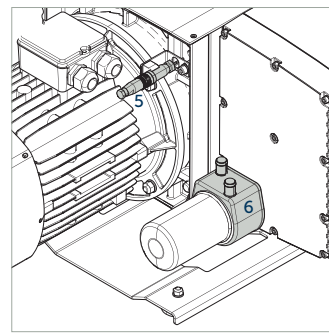
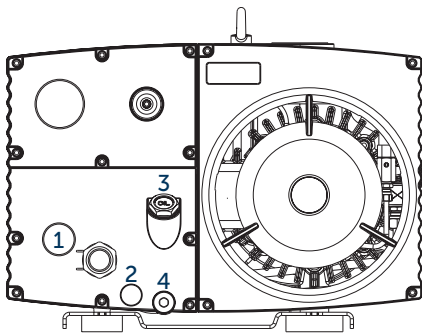
Suction air rate refers to the intake pressure
 Reference data (atmosphere): 0 In. HgV / 760 Torr, 68°F; Tolerance: ±10%

+ VARIANTS AND ACCESSORIES

- Optional **GAS BALLAST VALVE** for increased water vapour tolerance (2.25 Torr)
water vapour tolerance: max. 37.5 Torr; water vapour capacity: max. 0.528 U.S.gal./h (at 185°C operating temperature)
- **THREADED CONNECTOR** for exhaust air (G2)

ACCESSORIES

- External suction filter¹⁾
- Oil: Becker Lube Synthetic Oil, Premium Synthetic Oil (PAO) and Food Grade Vacuum Pump Oil



- 1 Oil level switch¹⁾ (G1)
- 2 Oil temperature monitor¹⁾ (G¹/₂)
- 3 Maintenance indicator¹⁾ (G³/₄) for oil separating elements
- 4 Ball valve (G¹/₂), with locking and hose connector 19 mm [0.75 inch]
- 5 Temperature sensor PT100
- 6 Water cooler U5.200-0-114.2¹⁾



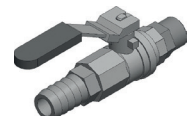
Oil level switch



Oil temperature monitor



Maintenance indicator



Ball valve

¹⁾ See separate data sheet

- Combination options on request



MAKE IT BECKER.