

DATA SHEET

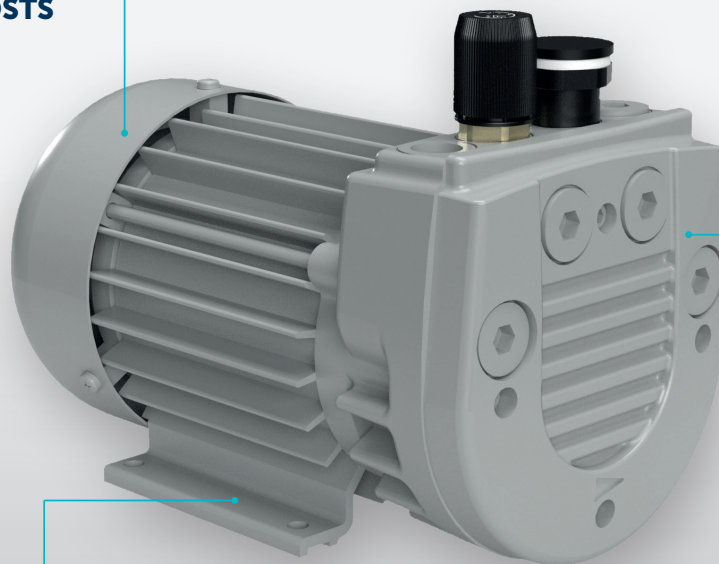
VT 4.8

ROTARY VANE VACUUM PUMPS

oil-free
air-cooled

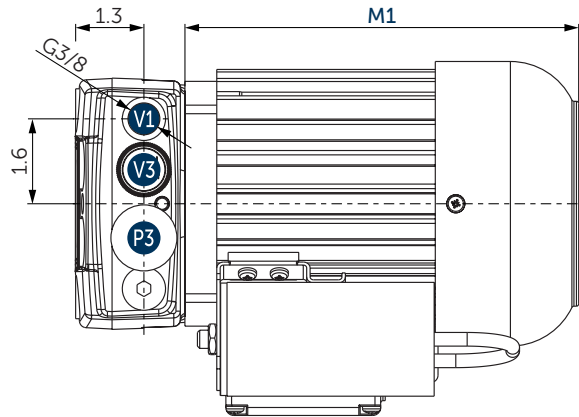
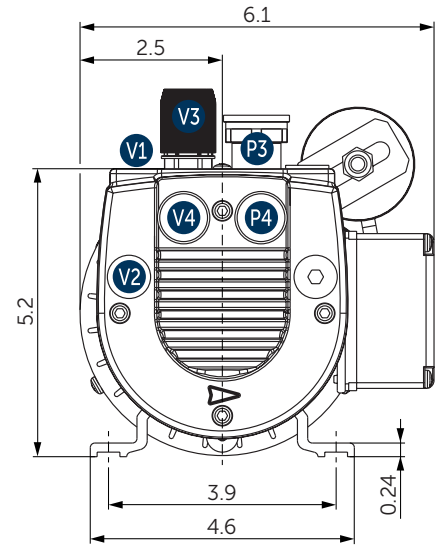
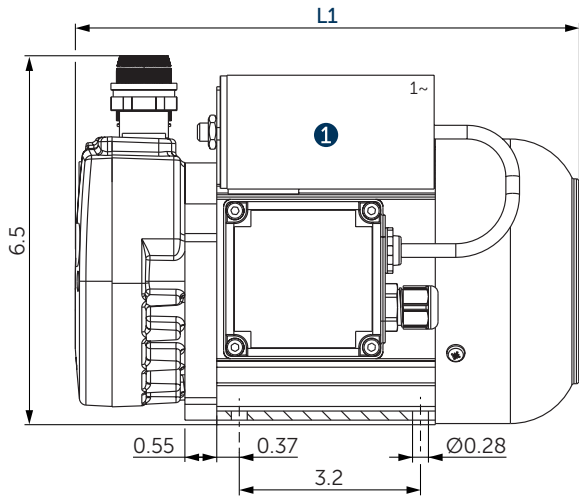
MAKE IT BECKER.

**LOW OPERATION &
MAINTENANCE COSTS**



**COMPACT
& ROBUST**

100% OILLESS OPERATION



V1 (V2) Vacuum connection (G³/₈)
 V3 (V4) Vacuum regulating valve
 P3 (P4) Blow-off valve
 (XX) Alternative

- 1 The capacitor size and position may vary with a change of the voltage/frequency.
- L Overall device length L1 with motor.
 L1 and M1 are variable.
 - Including integrated suction air filter
 - The motor illustration may vary
 - Dimensions in inch

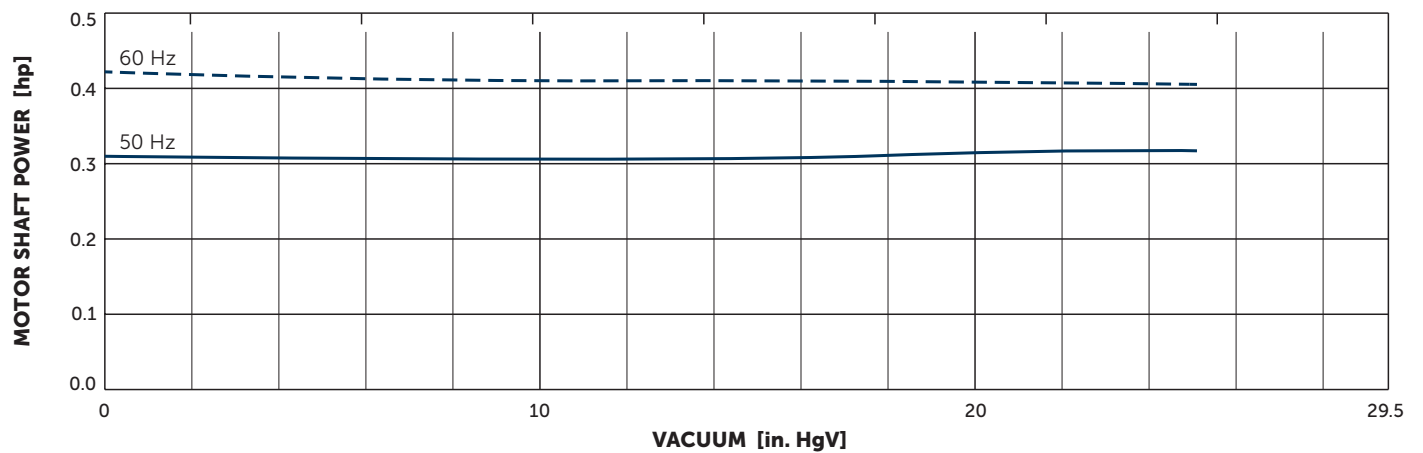
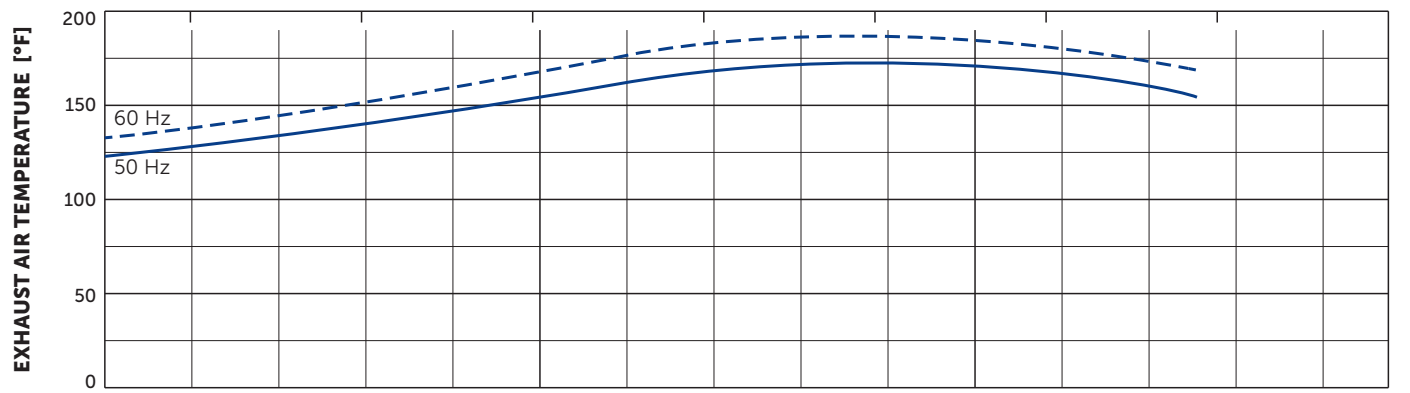
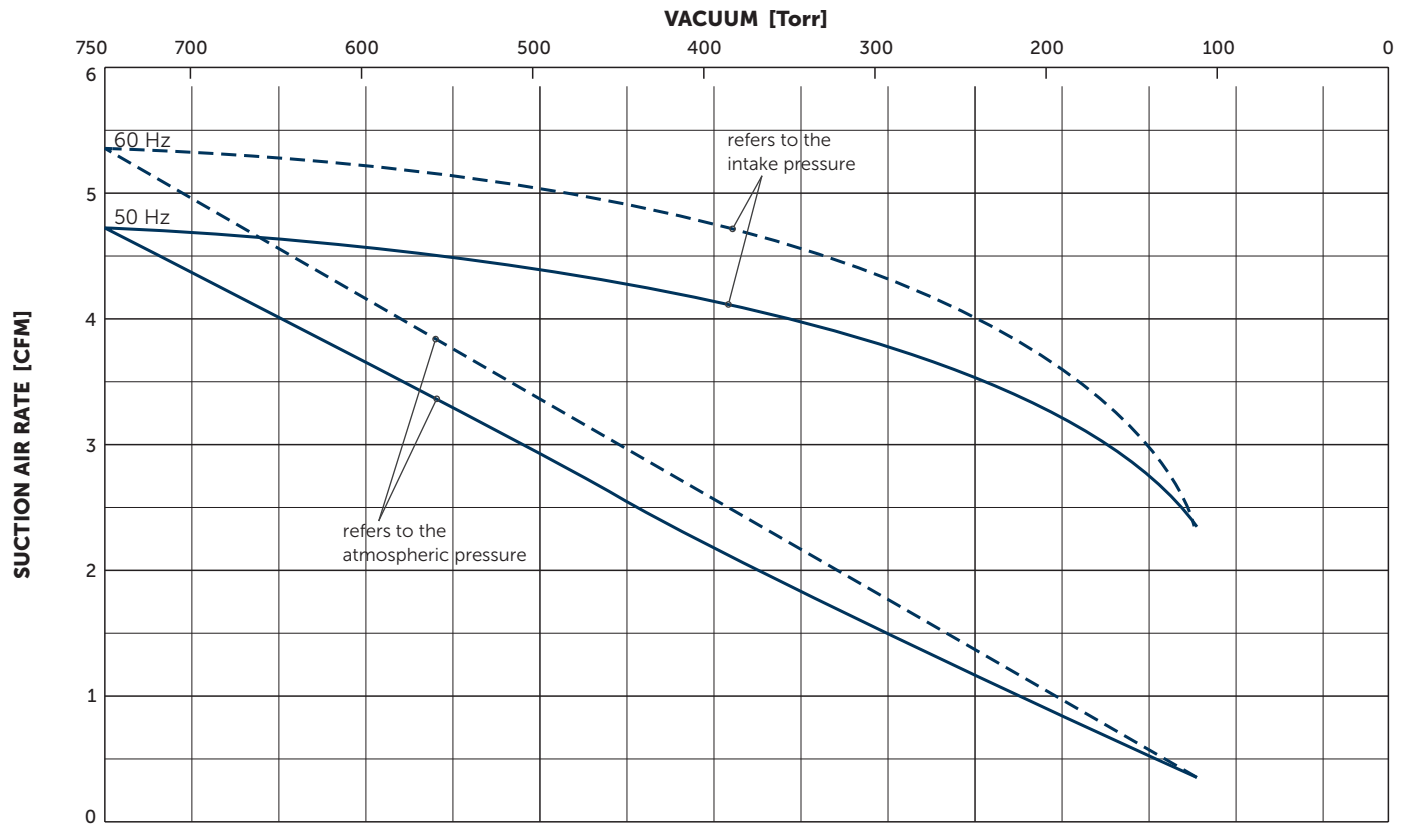
Suction air rate		Vacuum		Emission sound pressure level ¹⁾		Weight with motor ²⁾
CFM		Torr	in. HgV	dB(A)		lbs
50 Hz	60 Hz	50 & 60 Hz	50 & 60 Hz	50 Hz	60 Hz	
4.7	5.4	112.5	25.1	58	61	≈20.9

Motors														
#	~	50 Hz				60 Hz				Version	M1 inch	L1 inch		
		hp	V	rpm	A	hp	V	rpm	A					
01	3~	0.5	Δ230/Y400	IE2	2865	2.13/1.23	0.6	Δ265/Y460	IE3	3455	2.01/1.16	CE IP54 • ISO F • bimetal	7.6	9.9
								Δ230/Y400	IE3	3400	1.87/1.08			
								Δ208/Y360	IE3	3330	1.94/1.12			
02	3~	0.4	Δ230/Y400	IE2	2835	1.59/0.92	0.5	Δ265/Y460	IE2	3420	1.54/0.89	CE IP54 • ISO F • bimetal	6.8	9.1
03	1~	0.5	230 ±10%	IE2	2840	2.13	0.6	230 +10%/-8%	IE3	3355	2.54	CE IP54 • ISO F • bimetal	7.6	9.9

¹⁾ According to DIN EN ISO 3744 (KpA = 3 dB(A)), 39.4 inch distance, at medium load, both connection sides piped

²⁾ Depending on the motor

- Reference data (atmosphere): 0 in. HgV, 68°F; Tolerance: ±10%
- Current consumption and rotation speed may vary. Tolerance in each case -1.5/+2%

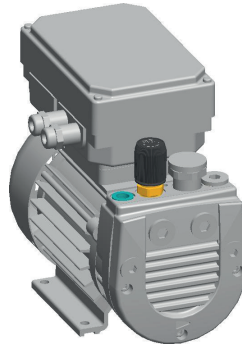


Reference data (atmosphere): 0 in. HgV, 68°F; Tolerance: ±10%

+ VARIANTS AND ACCESSORIES

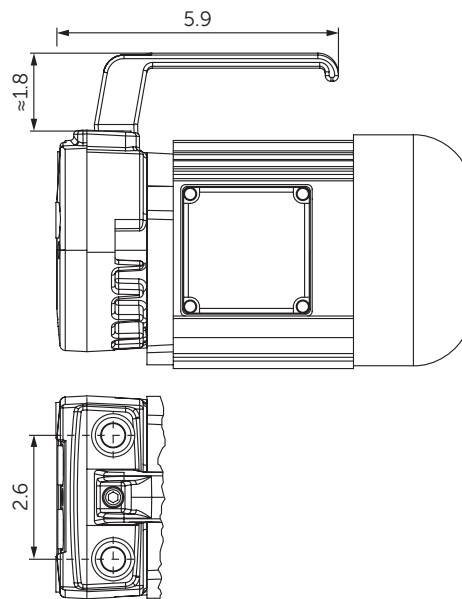
VT 4.8 DC¹⁾

- with 24V DC motor



VT 4.8/0-28

- with handle



¹⁾ See separate data sheet

▪ Dimensions in inch – For other dimensions, see the figure on page 2.

MAKE IT BECKER.

HOMEPAGE
VT SERIES



ONLINE SHOP
VT 4.8



www.beckerpumps.com
www.becker-international.com

