

DATA SHEET

DT 4.10

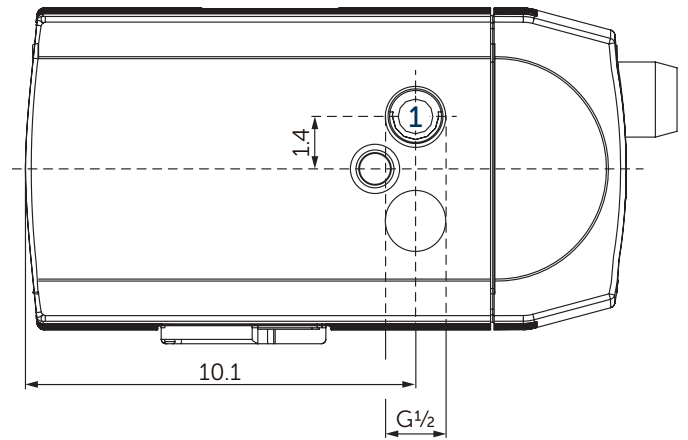
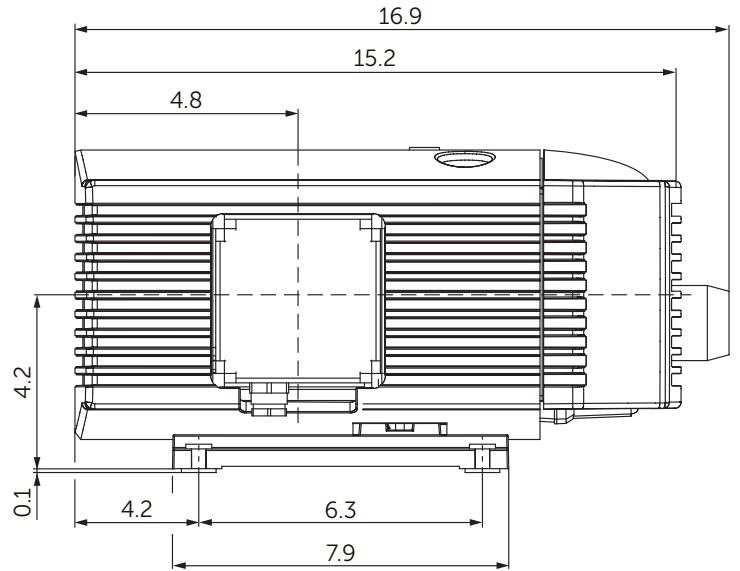
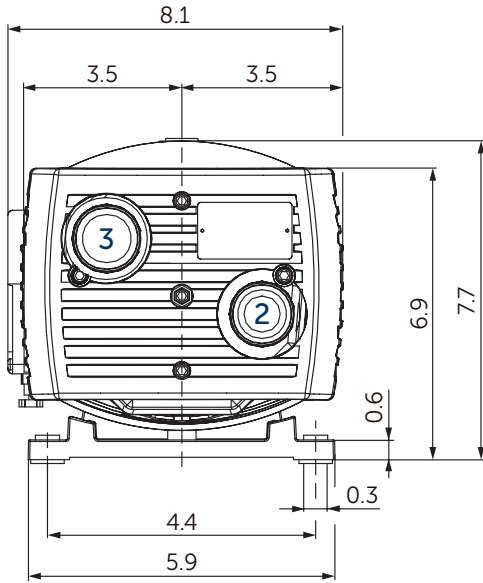
ROTARY VANE COMPRESSORS

oil-free

air-cooled

MAKE IT BECKER.





- 1 Pressure connection (G $\frac{1}{2}$)
- 2 Pressure regulating valve
- 3 Air nozzle
 - Including integrated suction air filter
 - The motor illustration may vary
 - Dimensions in inch

Blast air rate		Pressure		Emission sound pressure level ¹⁾		Weight incl. motor ²⁾
50 Hz	60 Hz	50 Hz	60 Hz	50 Hz	60 Hz	lbs
5.9	7.1	14.5	14.5	60	62	≈35.3

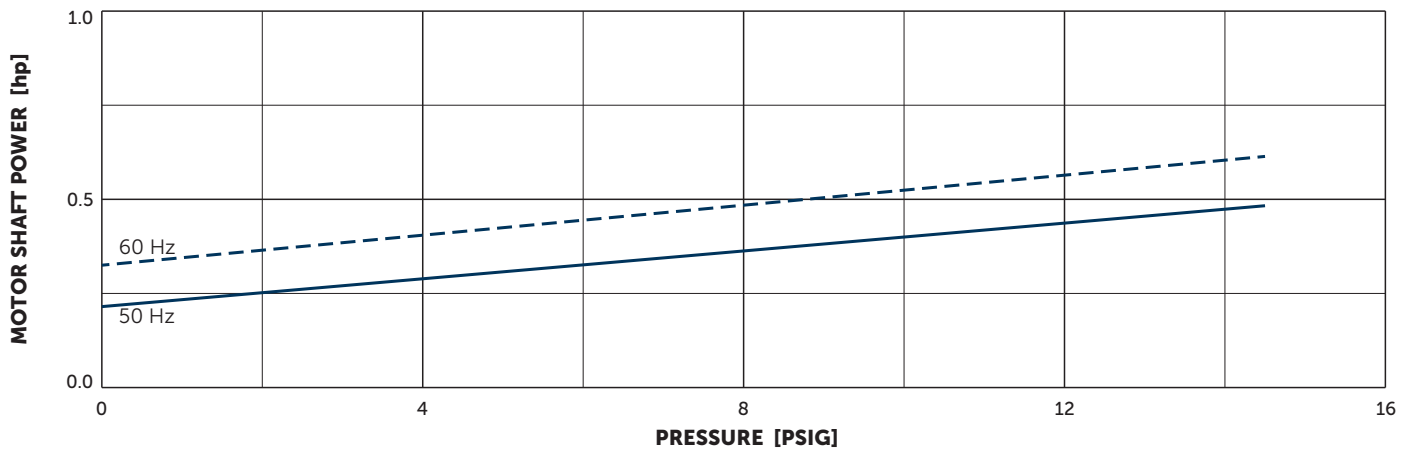
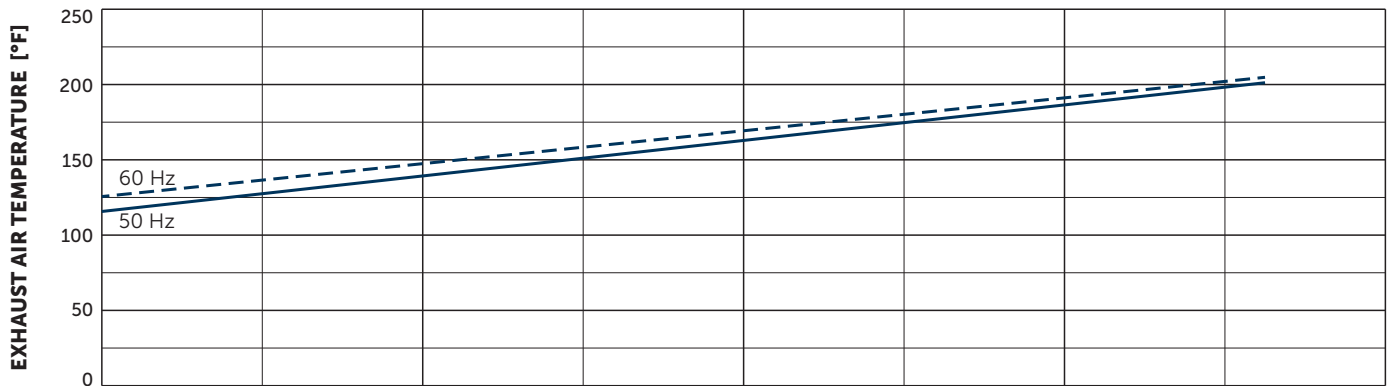
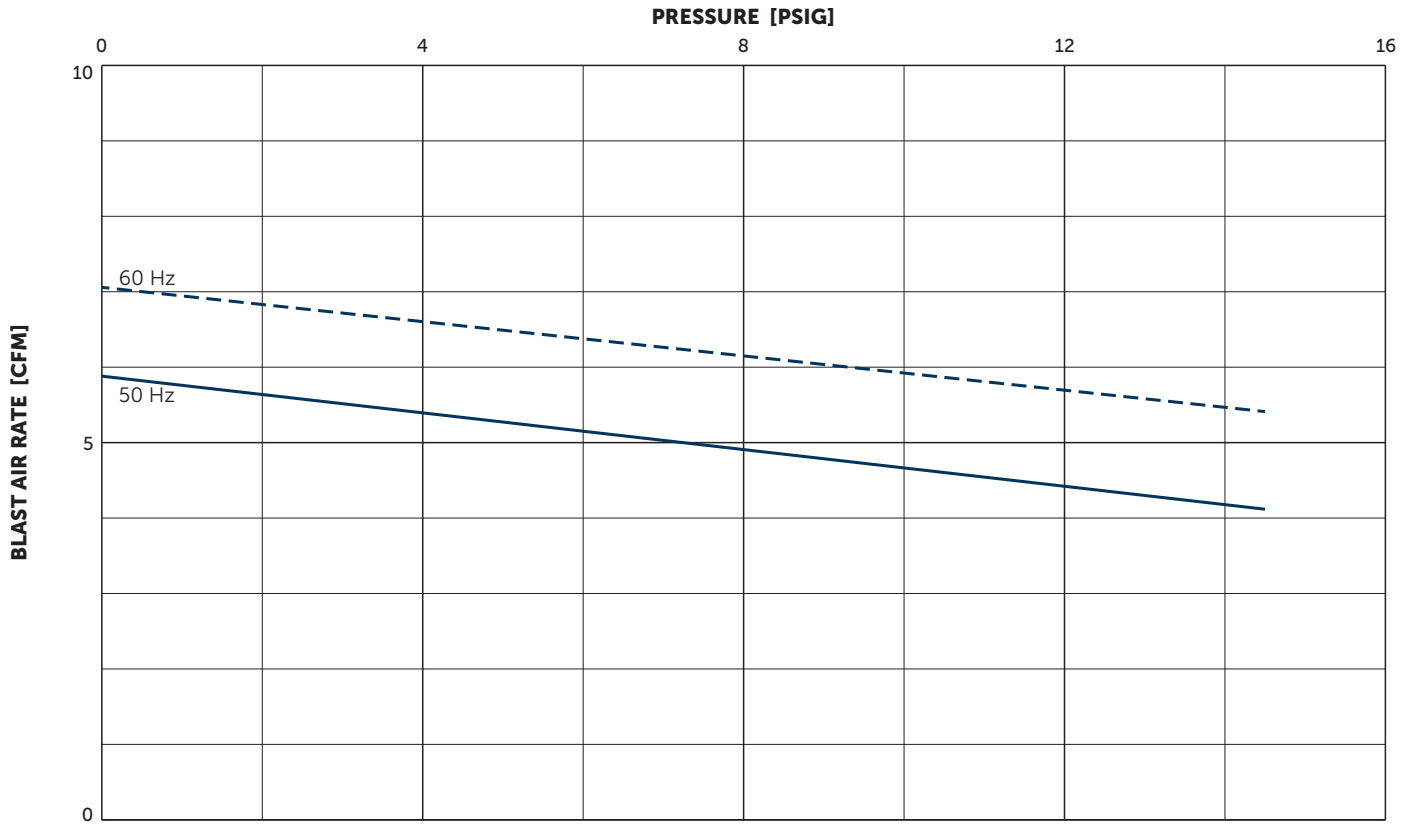
¹⁾ According to DIN EN ISO 3744 (KpA = 3 dB(A)), 39.4 inch distance, at medium load, both connection sides piped

²⁾ Depending on the motor

3~ Motors											
#	50 Hz				60 Hz				Version		
	hp	V	rpm	A	hp	V	rpm	A			
01	0.5	Δ230/Y400	IE2	1435	2.37/1.37	0.6	Δ208/Y360	IE3	1660	2.23/1.29	IP54 • ISO F PTO (bimetal) 150°C
							Δ230/Y400	IE3	1705	2.10/1.21	
							Δ265/Y460	IE2	1730	2.25/1.30	
02	0.5	175–260/ 300–450		1420	2.3/1.33	0.6	202–300/ 350–520		1700	2.35/1.36	IP54 • ISO F

1~ Motor											
#	50 Hz				60 Hz				Version		
	hp	V	rpm	A	hp	V	rpm	A			
01	0.5	230 ±10%	1380	3.0	0.6	230 ±10%	1630	3.4			IP54 • ISO F 12 μF (400 V)

• Type plate data on current consumption and rotation speed of the motors may vary. Tolerance -1.5/+2% in each case.



Reference data (atmosphere): 0 PSIG, 68°F; Tolerance: ±5%
 Air temperature: 41°F ... 135°F

+ VARIANTS AND ACCESSORIES

- With external suction filter¹⁾
- Sound proof box SH 20¹⁾



Example for an external suction filter



Sound proof box SH 20

¹⁾ See separate data sheet
▪ Possible combinations on request



MAKE IT BECKER.

