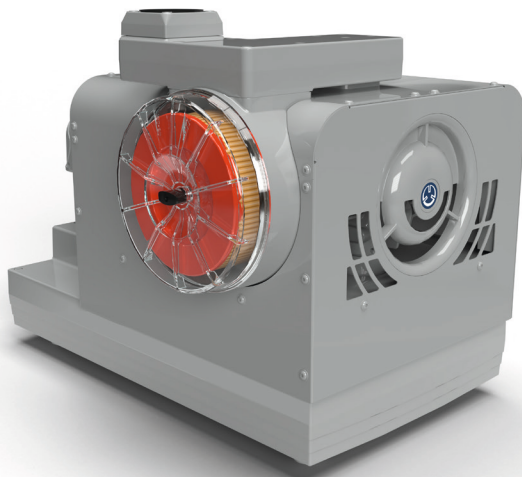


BETRIEBSANLEITUNG
OPERATING INSTRUCTIONS
INSTRUCCIONES DE SERVICE
ISTRUZIONI D'USO
HANDLEIDING
INSTRUCCIONES PARA EL MANEJO
MANUAL DE INSTRUÇÕES
NAUDOJIMOSI INSTRUKCIJA
KASUTUSJUHEND
LIETOŠANAS INSTRUKCIJA
DRIFTSINSTRUKS
DRIFTSINSTRUKTIONER
DRIFTSVEJLEDNING
INSTRUKCJA OBSŁUGI

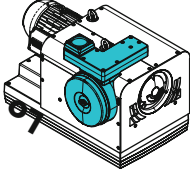
KEZELÉSI ÚTMUTATÓ
NÁVOD K OBSLUZE
NAVODILO ZA UPORABO
NÁVOD NA OBSLUHU
UPUTE ZA RAD
MANUAL DE OPERATII
TREORACHA OIBRIÚCHÁIN
ΟΔΗΓΙΕΣ ΧΡΗΣΗΣ
EL KITABI
ИНСТРУКЦИИ ЗА ЕКСПЛОАТАЦИЯ
ИНСТРУКЦИЯ ПО ЕКСПЛОАТАЦИИ
取扱説明書
사용설명서
使用说明书

BCV 150

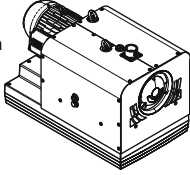
MAKE IT BECKER.



Type 1
with integrated filter



Type 2
without filter
for external filtration

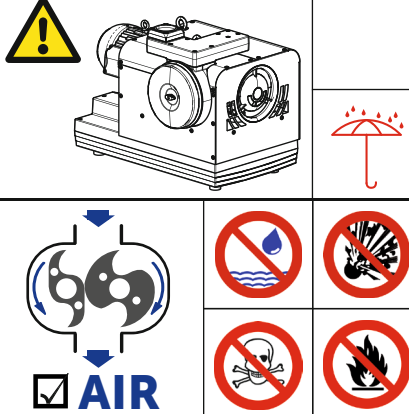


1



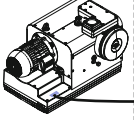
www.becker-international.com

2



AIR

3



BECKER	No	year	
CE type			
frequency		Hz	
speed		min ⁻¹	
power required		kW	
inlet capacity		m ³ /h	
vacuum		mbar	

m³/h
mbar

DIN EN ISO 11203
Accuracy Class 2
K_{pA} = 3 dB(A)
l ← 1m

L_{pA} = 69 dB(A) - 50Hz
L_{pA} = 72 dB(A) - 60Hz

4

INLET AIR

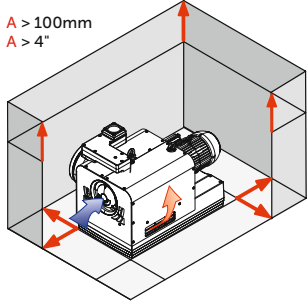
> 0°C/32°F
< 40°C/104°F

Avoid condensation

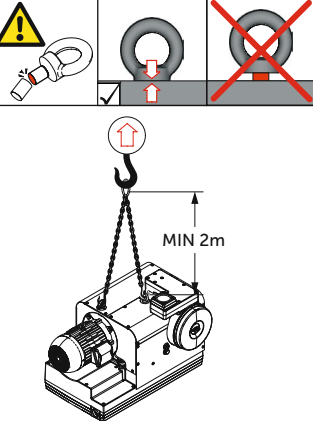
max. 90%

Please consult
BECKER

A > 100mm
A > 4"



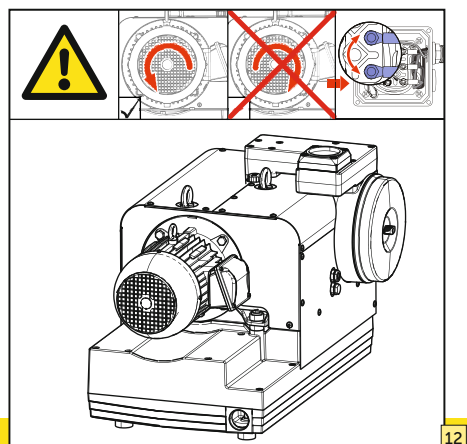
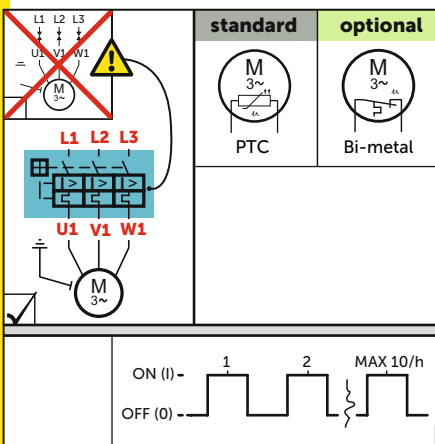
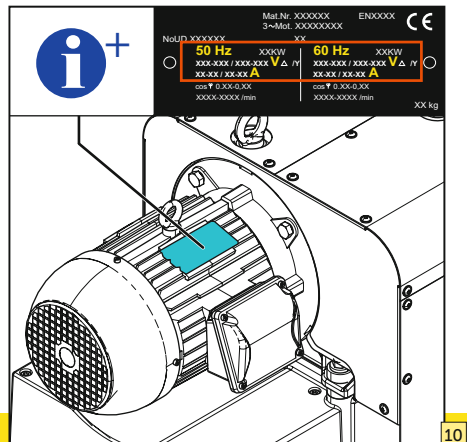
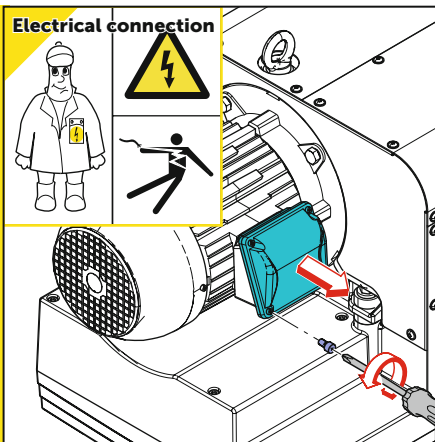
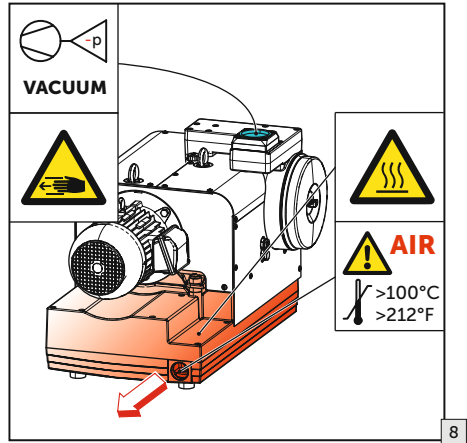
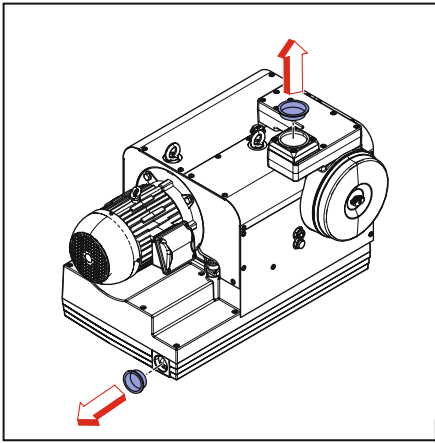
5

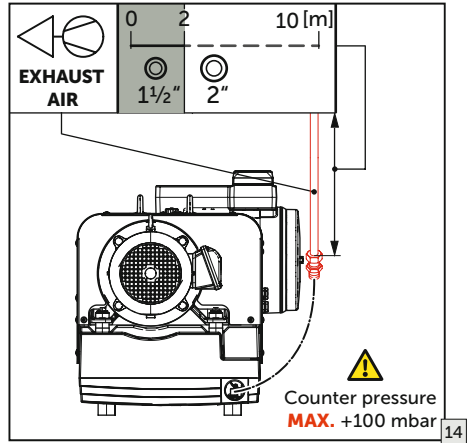
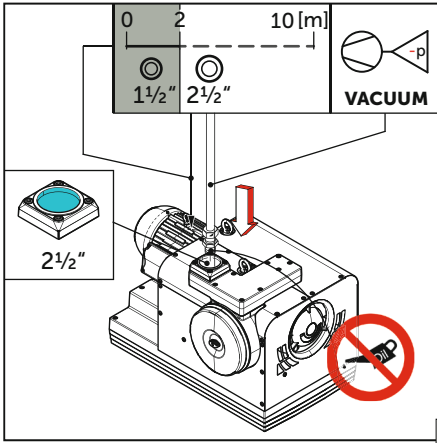


MIN 2m

180 kg
397 lbs

6





Maintenance

BECKER

15

OFF

$n=0 \text{ min}^{-1}$

1 Min

16

MAX MIN

check regularly
4x/year

< MIN

Becker Lube
G 150

OFF

17

20.000
operating hours

every
3 years






Ambient temp.

40°C
20°C
5.000h 20.000h
Operating hours

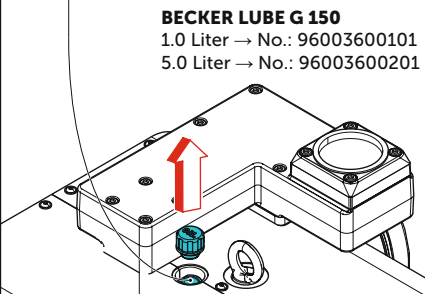
21

OIL


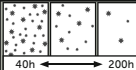

18

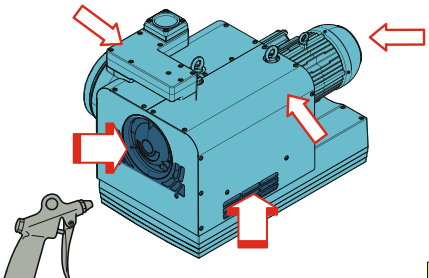
 Oil	 MAX	 
0.75 Liter		

BECKER LUBE G 150
 1.0 Liter → No.: 96003600101
 5.0 Liter → No.: 96003600201



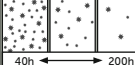


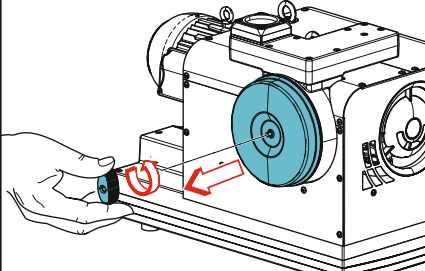
19

	 40h ← → 200h	
40 - 200 h	AMBIENT AIR ?	EN149 - FFP3 42 CFR 84 - N100




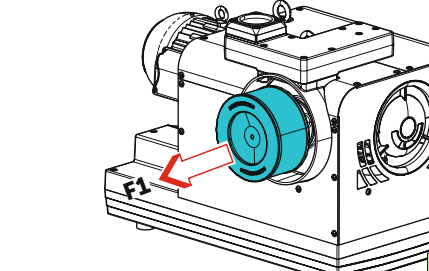
20

		 40h ← → 200h	MIN 1x/a
40 - 200 h	INTAKE AIR ?		



21

 F1	1x No.: 90950065200 (PAPER) 1x No.: 90950165200 (POLYESTER)
--	--



22



WWW.BECKER-INTERNATIONAL-SHOP.COM

Gebr. Becker GmbH
 Hoelker Feld 29-31
 42279 WUPPERTAL
 GERMANY
info@becker-international.com
www.becker-international.com





MAKE IT BECKER.