

DATA SHEET

DT 4.16

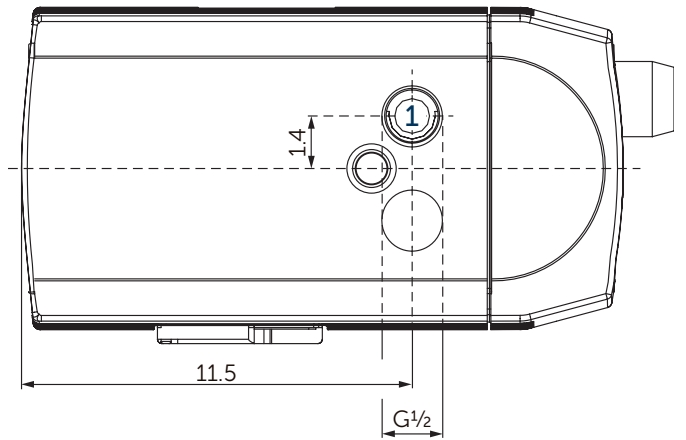
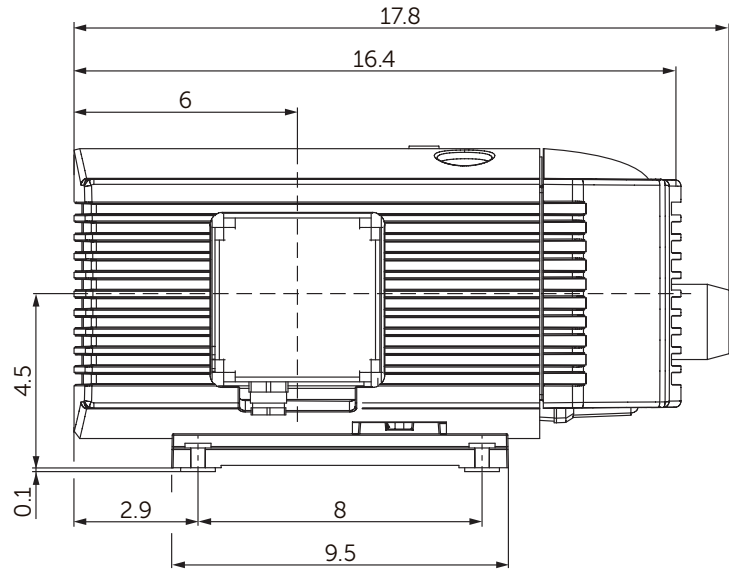
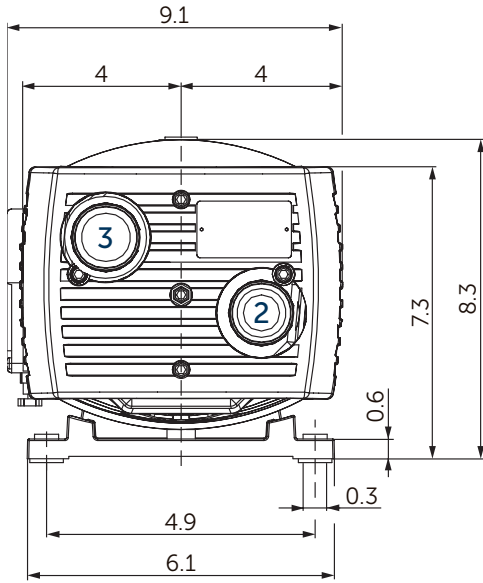
ROTARY VANE COMPRESSORS

oil-free

air-cooled

MAKE IT BECKER.





- 1 Pressure connection (G $\frac{1}{2}$)
- 2 Pressure regulating valve
- 3 Air nozzle
 - Including integrated suction air filter
 - The motor illustration may vary
 - Dimensions in inch

Blast air rate		Pressure		Emission sound pressure level ¹⁾		Weight incl. motor ²⁾
50 Hz	60 Hz	50 Hz	60 Hz	50 Hz	60 Hz	lbs
9.4	11.2	14.5	14.5	62	64	≈51.8

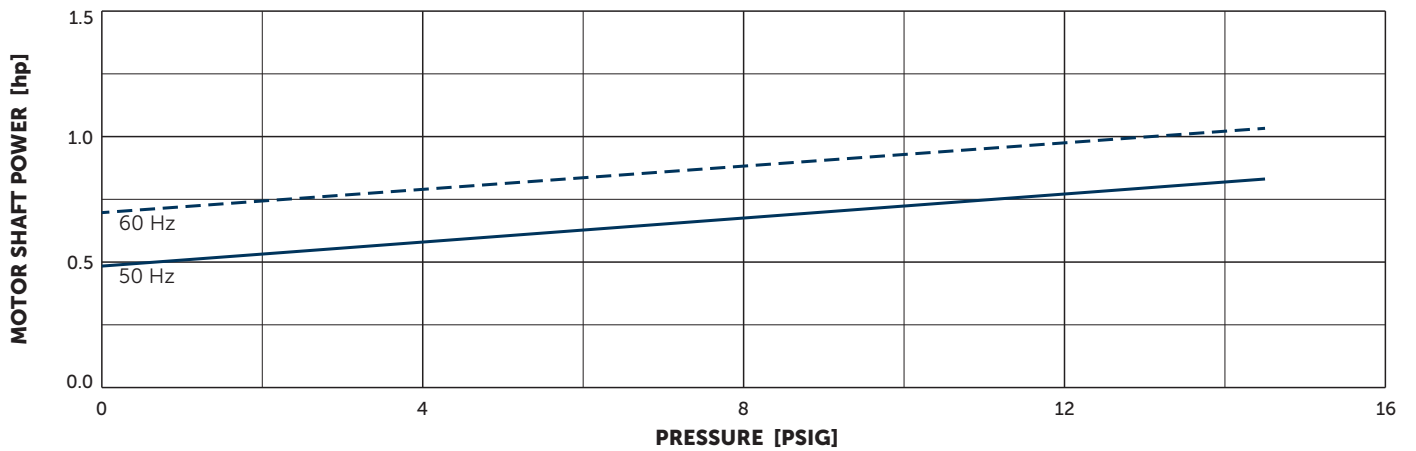
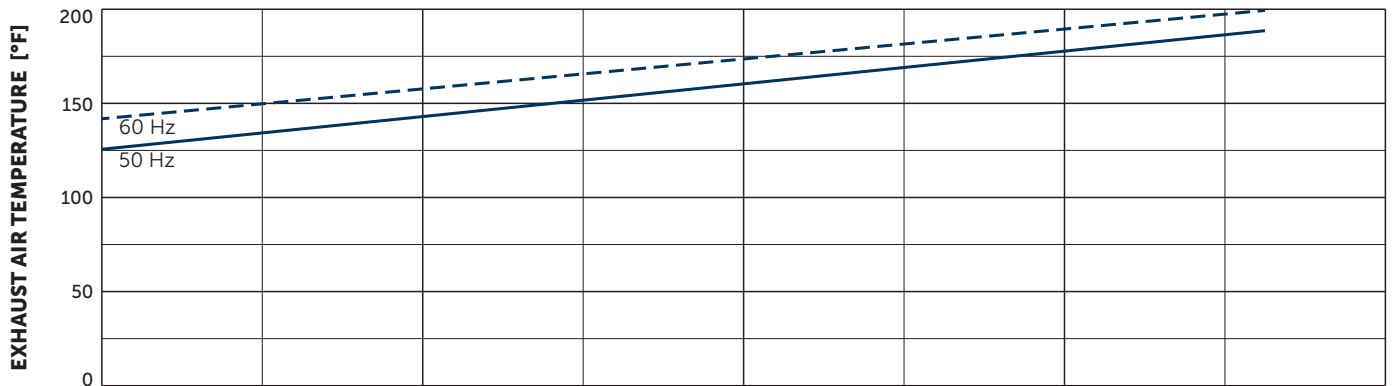
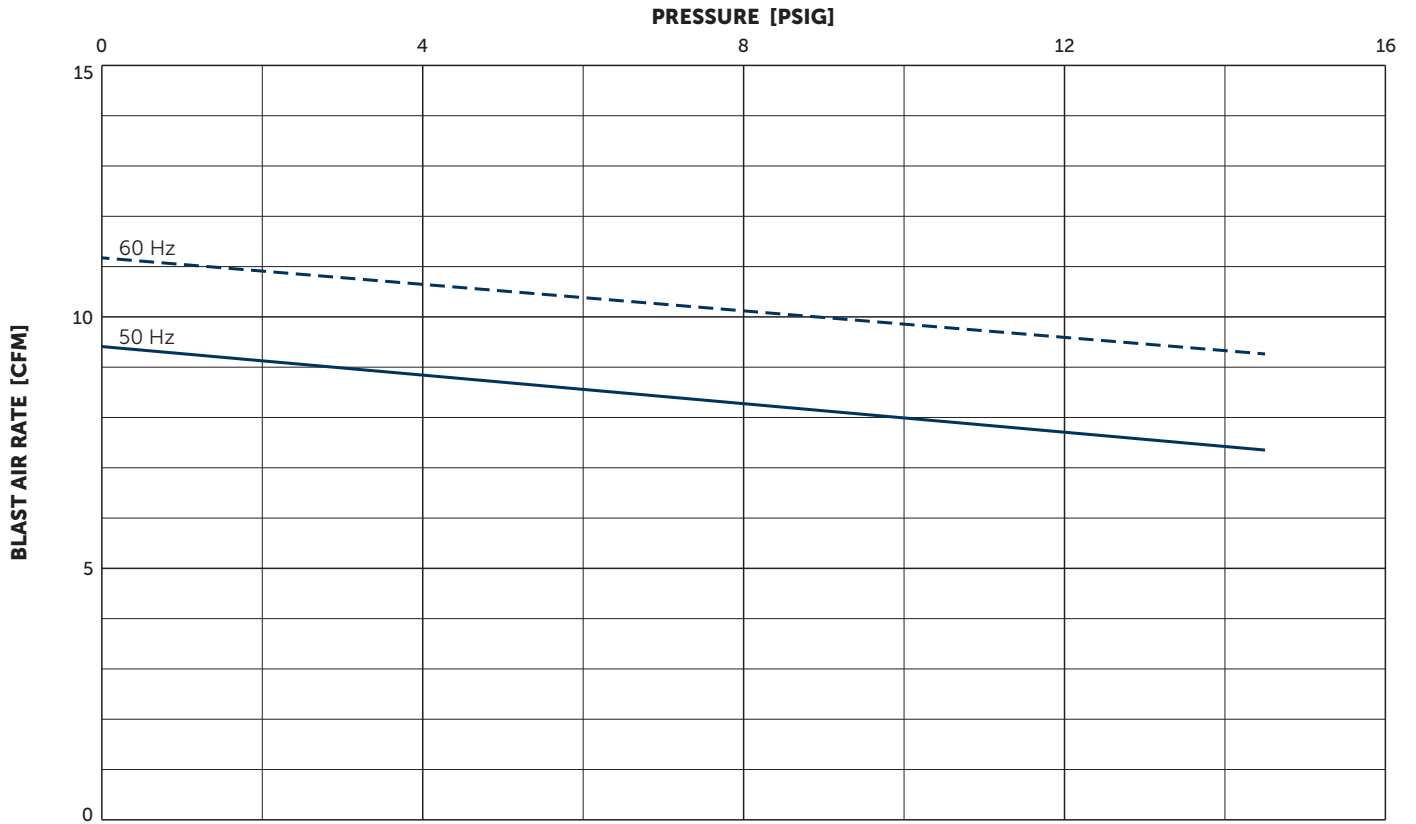
¹⁾ According to DIN EN ISO 3744 (KpA = 3 dB(A)), 39.4 inch distance, at medium load, both connection sides piped

²⁾ Depending on the motor

3~ Motors											
#	50 Hz				60 Hz				Version		
	hp	V	rpm	A	hp	V	rpm	A			
01	0.7	Δ 230/Y400	IE2	1445	3.10–1.79	Δ 265/Y460	IE2	1740	3.05–1.76	IP54 • ISO F PTO (bimetal) 150°C	
						Δ 230/Y400	IE2	1715	3.03–1.75		
						Δ 208/Y360	IE2	1690	3.14–1.81		
02	0.7	175–260/ 300–450	–	1420	3.8/2.2	0.9	202–300/ 350–520	–	1700	3.9/2.25	IP54 • ISO F

1~ Motor										
#	50 Hz				60 Hz				Version	
	hp	V	rpm	A	hp	V	rpm	A		
01	0.7	230 \pm 10%	1360	4.6	0.9	230 \pm 10%	1600	5.2	IP54 • ISO F 20 μ F (450 V)	
02					0.9	115 \pm 6%	1630	9.5	UL(E123782) IP54 • ISO F 80 μ F (240 V)	

- Current consumption and rotation speed may vary. Tolerance in each case -1.5/+2%



Reference data (atmosphere): 0 PSIG, 68°F; Tolerance: ±5%
 Air temperature: 41°F ... 135°F

+ VARIANTS AND ACCESSORIES

- With external suction filter¹⁾
- Sound proof box SH 20¹⁾



Example for an external suction filter



Sound proof box SH 20

¹⁾ See separate data sheet

- Possible combinations on request



MAKE IT BECKER.