

DATA SHEET

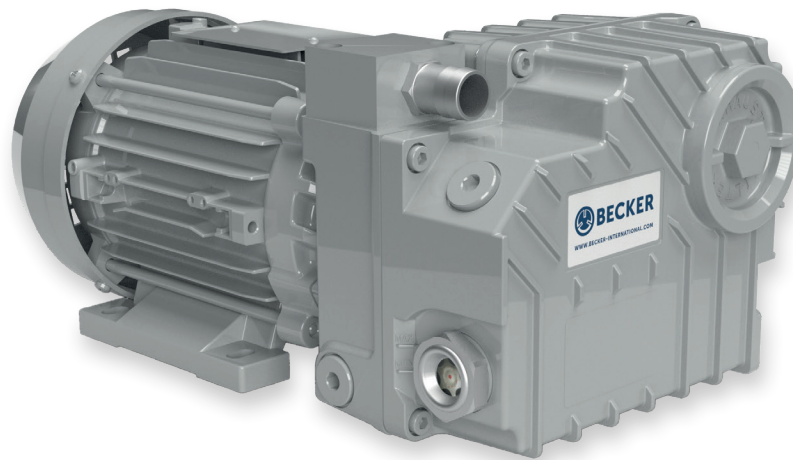
**0 6.8**

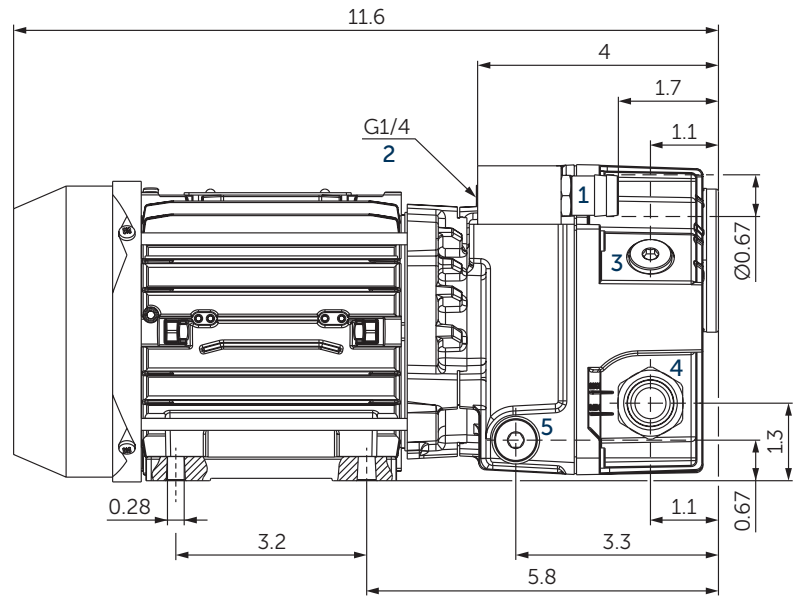
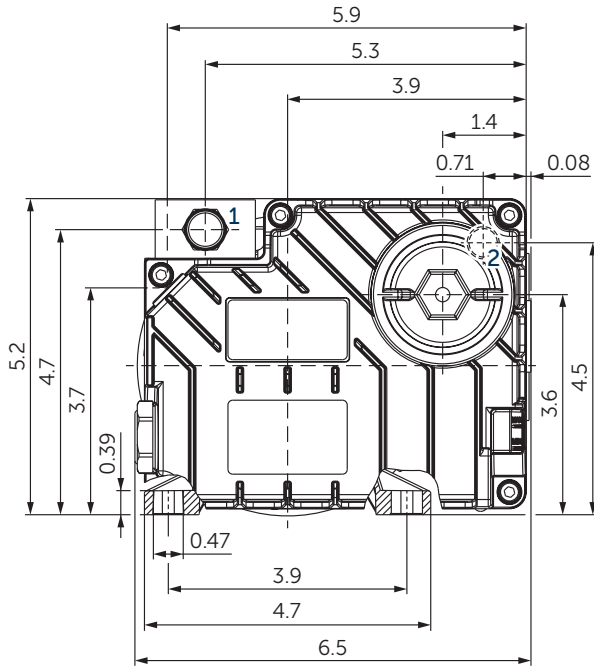
# ROTARY VANE- VACUUM PUMPS

oil-lubricated  
air-cooled

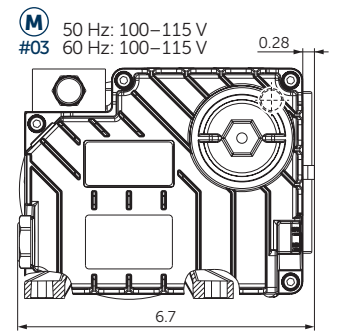
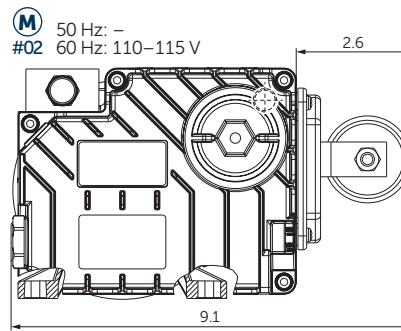
---

**MAKE IT BECKER.**

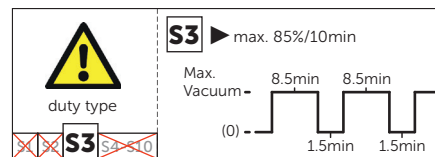




- 1 Vacuum connection Ø0.67 (G<sup>3/8</sup>)
- 2 Exhaust air connection (G<sup>1/4</sup>)
- 3 Oil filler cap
- 4 Oil sight glass
- 5 Screw plug for oil drain
- Non-return valve and oil separator are integrated
- The motor illustration may vary
- Dimensions in inch



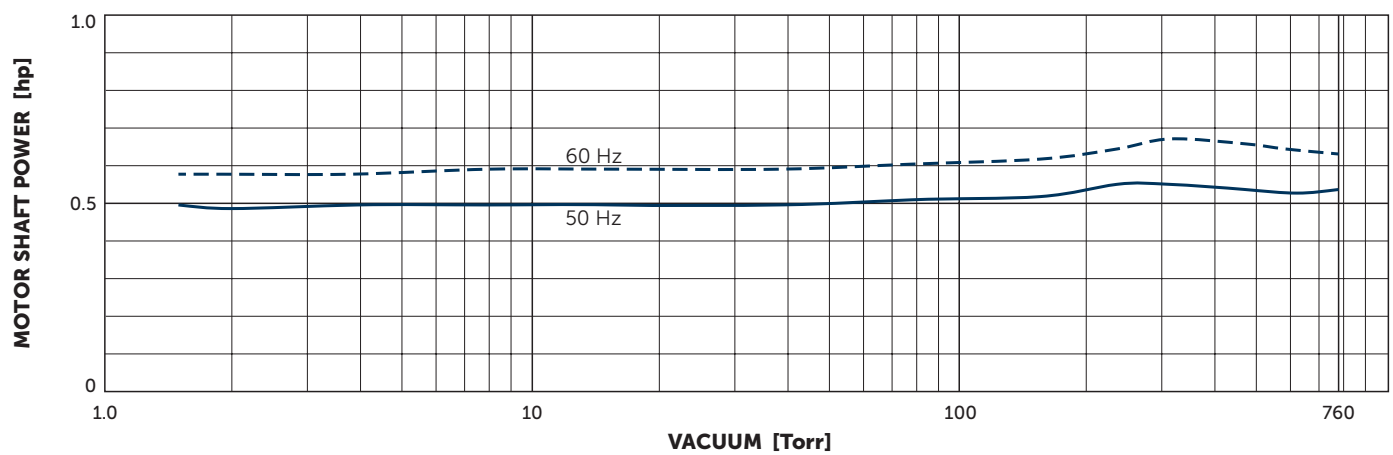
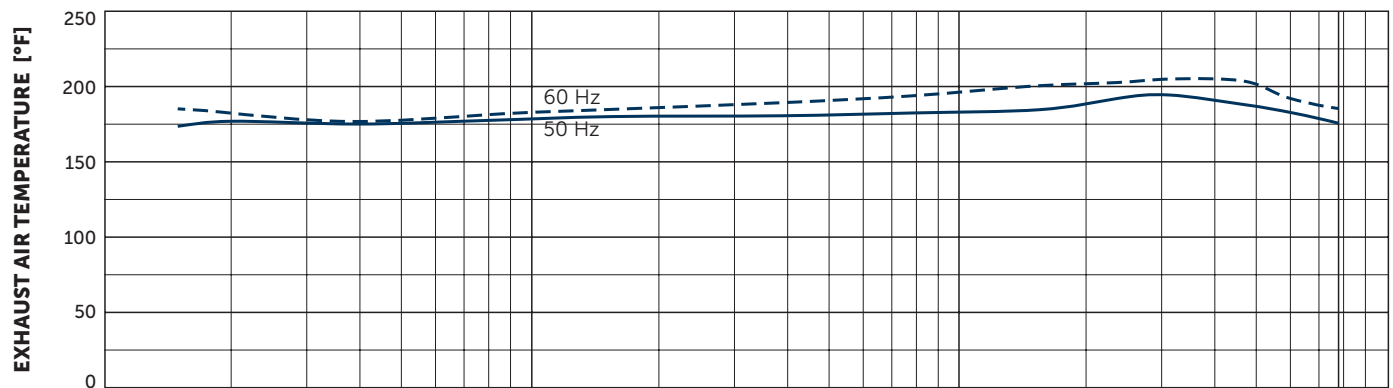
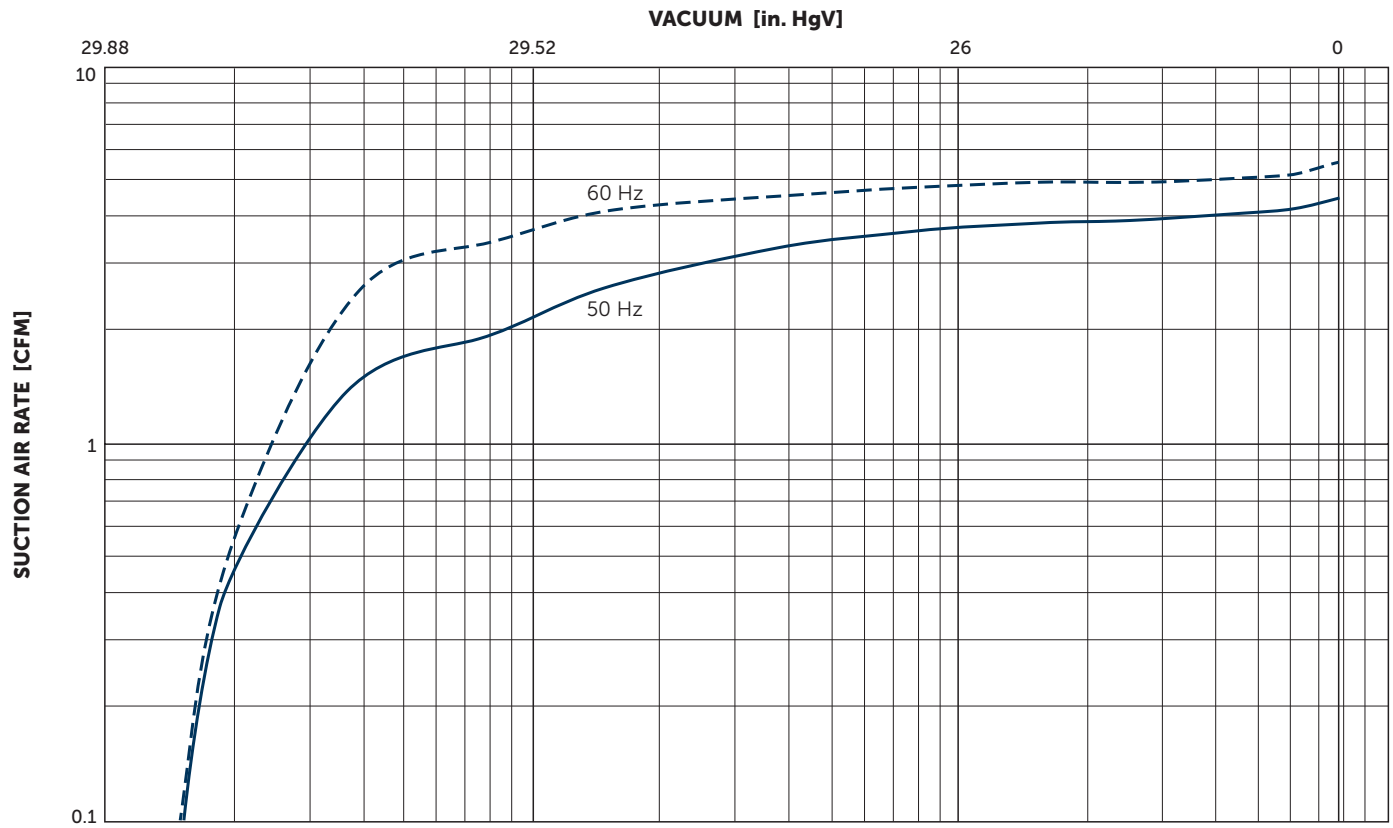
The **operating mode S3** (with periodic intermittent operation) must be maintained according to the following interval!



Nominal capacity		Vacuum absolute		Emission sound pressure level		Weight incl. motor	Oil
CFM		Torr		dB(A), DIN EN ISO 2151, K 3db		lbs	U.S. gal.
50 Hz	60 Hz	50 Hz	60 Hz	50 Hz	60 Hz		
4.7	5.6	1.5	1.5	58	60	≈22.05	0.05

#	1~ Motors								Version
	50 Hz				60 Hz				
hp	V	rpm	A	hp	V	rpm	A		
01	0.34	220-240	2920	2.3-2.6	0.40	220-240	3490	2.3-2.3	IP 55 • ISO F • bimetal capacitor 12,5 µF (450V)
02					0.48	110-115	3270	5.3-5.5	UL (E470936) • CSA • IP 55 • ISO F bimetal • capacitor 50 µF (250V)
03	0.4	100-115	2870	5.0-5.5	0.48	100-115	3430	5.0-5.0	IP 55 • ISO F • bimetal capacitor 45 µF (450V)

• Type plate data on current consumption and rotation speed of the motors may vary. Tolerance -1.5/+2% in each case.



Suction air rate refers to the intake pressure  
 Reference data (atmosphere): 0 In. HgV / 760 Torr, 68°F; Tolerance: ±10%



**MAKE IT BECKER.**